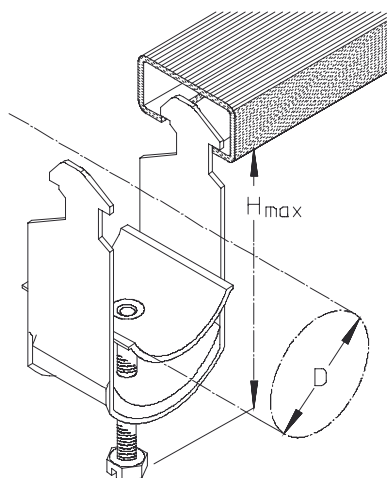


# H

Cable clamp for fastening to C-profile rails



Cable clamp with full-surface vat made of galvanised steel. For fastening to C-profile rails (C) with a slot size of 16 mm. certified according to DIN 4102-12

Articles with a diameter of 12-56mm are also available in stainless steel finish, material No. 1.4571 / 1.4404 (V4A).



Zinc coated

| Product | D        | H <sub>max</sub> | M      | Number of cables | G            |
|---------|----------|------------------|--------|------------------|--------------|
| 12 H    | 8-12 mm  | 41 mm            | 2,0 Nm | 1                | 2,70 kg/100  |
| 16 H    | 12-16 mm | 46 mm            | 2,0 Nm | 1                | 3,20 kg/100  |
| 20 H    | 16-20 mm | 50 mm            | 2,0 Nm | 1                | 3,60 kg/100  |
| 24 H    | 20-24 mm | 54 mm            | 2,0 Nm | 1                | 3,90 kg/100  |
| 28 H    | 24-28 mm | 58 mm            | 2,0 Nm | 1                | 4,40 kg/100  |
| 32 H    | 28-32 mm | 63 mm            | 2,0 Nm | 1                | 6,30 kg/100  |
| 36 H    | 32-36 mm | 67 mm            | 2,0 Nm | 1                | 7,00 kg/100  |
| 40 H    | 36-40 mm | 71 mm            | 2,0 Nm | 1                | 7,50 kg/100  |
| 44 H    | 40-44 mm | 81 mm            | 4,0 Nm | 1                | 9,80 kg/100  |
| 48 H    | 44-48 mm | 85 mm            | 4,0 Nm | 1                | 10,20 kg/100 |
| 52 H    | 48-52 mm | 90 mm            | 4,0 Nm | 1                | 10,60 kg/100 |
| 56 H    | 52-56 mm | 94 mm            | 4,0 Nm | 1                | 11,30 kg/100 |
| 60 H    | 56-60 mm | 98 mm            | 4,0 Nm | 1                | 15,80 kg/100 |
| 64 H    | 60-64 mm | 102 mm           | 4,0 Nm | 1                | 16,50 kg/100 |
| 70 H    | 64-70 mm | 109 mm           | 4,0 Nm | 1                | 17,10 kg/100 |
| 12/2 H  | 8-12 mm  | 58 mm            | 2,0 Nm | 2                | 3,50 kg/100  |
| 16/2 H  | 12-16 mm | 67 mm            | 2,0 Nm | 2                | 4,00 kg/100  |
| 20/2 H  | 16-20 mm | 75 mm            | 2,0 Nm | 2                | 4,80 kg/100  |
| 24/2 H  | 20-24 mm | 84 mm            | 2,0 Nm | 2                | 5,30 kg/100  |
| 28/2 H  | 24-28 mm | 92 mm            | 2,0 Nm | 2                | 6,00 kg/100  |
| 32/2 H  | 28-32 mm | 101 mm           | 2,0 Nm | 2                | 8,90 kg/100  |





| Product | D        | H <sub>max</sub> | M      | Number of cables | G            |
|---------|----------|------------------|--------|------------------|--------------|
| 36/2 H  | 32-36 mm | 109 mm           | 2,0 Nm | 2                | 9,60 kg/100  |
| 40/2 H  | 36-40 mm | 117 mm           | 2,0 Nm | 2                | 10,80 kg/100 |
| 44/2 H  | 40-44 mm | 127 mm           | 4,0 Nm | 2                | 13,30 kg/100 |
| 48/2 H  | 44-48 mm | 135 mm           | 4,0 Nm | 2                | 13,90 kg/100 |
| 52/2 H  | 48-52 mm | 144 mm           | 4,0 Nm | 2                | 15,20 kg/100 |
| 56/2 H  | 52-56 mm | 152 mm           | 4,0 Nm | 2                | 16,20 kg/100 |
| 12/3 H  | 8-12 mm  | 71 mm            | 2,0 Nm | 3                | 4,30 kg/100  |
| 28/3 H  | 24-28 mm | 122 mm           | 2,0 Nm | 3                | 7,40 kg/100  |

### Stainless steel, according to ASTM 304 / BS 304 S 3

| Product  | D        | H <sub>max</sub> | M      | Number of cables | G           |
|----------|----------|------------------|--------|------------------|-------------|
| 12 H-E   | 8-12 mm  | 41 mm            | 2,0 Nm | 1                | 2,70 kg/100 |
| 16 H-E   | 12-16 mm | 46 mm            | 2,0 Nm | 1                | 3,20 kg/100 |
| 20 H-E   | 16-20 mm | 50 mm            | 2,0 Nm | 1                | 3,60 kg/100 |
| 24 H-E   | 20-24 mm | 54 mm            | 2,0 Nm | 1                | 3,90 kg/100 |
| 28 H-E   | 24-28 mm | 58 mm            | 2,0 Nm | 1                | 4,40 kg/100 |
| 32 H-E   | 28-32 mm | 63 mm            | 2,0 Nm | 1                | 5,40 kg/100 |
| 36 H-E   | 32-36 mm | 67 mm            | 2,0 Nm | 1                | 6,10 kg/100 |
| 40 H-E   | 36-40 mm | 71 mm            | 2,0 Nm | 1                | 6,50 kg/100 |
| 44 H-E   | 40-44 mm | 81 mm            | 4,0 Nm | 1                | 8,70 kg/100 |
| 48 H-E   | 44-48 mm | 85 mm            | 4,0 Nm | 1                | 9,00 kg/100 |
| 52 H-E   | 48-52 mm | 90 mm            | 4,0 Nm | 1                | 9,30 kg/100 |
| 56 H-E   | 52-56 mm | 94 mm            | 4,0 Nm | 1                | 9,90 kg/100 |
| 12/2 H-E | 8-12 mm  | 58 mm            | 2,0 Nm | 2                | 3,50 kg/100 |
| 16/2 H-E | 12-16 mm | 67 mm            | 2,0 Nm | 2                | 4,00 kg/100 |
| 20/2 H-E | 16-20 mm | 75 mm            | 2,0 Nm | 2                | 4,80 kg/100 |
| 24/2 H-E | 20-24 mm | 84 mm            | 2,0 Nm | 2                | 5,30 kg/100 |
| 28/2 H-E | 24-28 mm | 92 mm            | 2,0 Nm | 2                | 6,00 kg/100 |
| 32/2 H-E | 28-32 mm | 101 mm           | 2,0 Nm | 2                | 7,70 kg/100 |

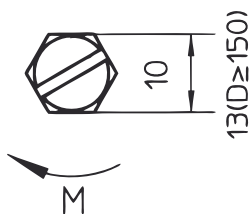
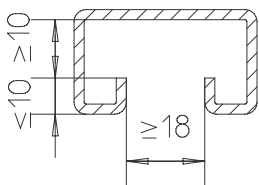


## Aluminium

| Product | D        | H <sub>max</sub> | M      | Number of cables | G            |
|---------|----------|------------------|--------|------------------|--------------|
| 12 H-AL | 8-12 mm  | 41 mm            | 1,5 Nm | 1                | 2,10 kg/100  |
| 16 H-AL | 12-16 mm | 46 mm            | 1,5 Nm | 1                | 2,50 kg/100  |
| 20 H-AL | 16-20 mm | 50 mm            | 1,5 Nm | 1                | 2,90 kg/100  |
| 24 H-AL | 20-24 mm | 54 mm            | 1,5 Nm | 1                | 3,30 kg/100  |
| 28 H-AL | 24-28 mm | 58 mm            | 1,5 Nm | 1                | 3,60 kg/100  |
| 32 H-AL | 28-32 mm | 63 mm            | 1,5 Nm | 1                | 5,00 kg/100  |
| 36 H-AL | 32-36 mm | 67 mm            | 1,5 Nm | 1                | 5,50 kg/100  |
| 40 H-AL | 36-40 mm | 71 mm            | 1,5 Nm | 1                | 5,90 kg/100  |
| 44 H-AL | 40-44 mm | 81 mm            | 3,0 Nm | 1                | 7,60 kg/100  |
| 48 H-AL | 44-48 mm | 85 mm            | 3,0 Nm | 1                | 8,30 kg/100  |
| 52 H-AL | 48-52 mm | 90 mm            | 3,0 Nm | 1                | 10,20 kg/100 |
| 56 H-AL | 52-56 mm | 94 mm            | 3,0 Nm | 1                | 10,60 kg/100 |

- D** : Diameter  
**H<sub>max</sub>** : Maximum height  
**M** : Torque  
**Number of cables** : Maximum number of installable cables  
**G** : Weight

## DETAILS / APPLICATIONS





## OPTIONAL ACCESSORIES

B 7, KHB 7



System E 90. CNBOP-PIB

