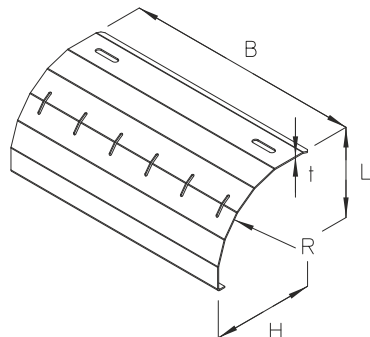


WPLKAB

Drop-out plate

Drop-out plate for wide-span cable ladders.



Continuously hot galvanized (Sendzimir process) (DIN EN 10346)

Product	H	B	L	R	t	G
WPLKAB 20S	129 mm	190 mm	110 mm	100 mm	1,50 mm	0,48 kg
Incl.: 2x FKS 6x10 2x AM16 M6F						
Slotted cylinder head screw, DIN EN ISO 1580, DIN 84 Channel nut, B7						
WPLKAB 30S	129 mm	290 mm	110 mm	100 mm	1,50 mm	0,72 kg
Incl.: 2x FKS 6x10 2x AM16 M6F						
Slotted cylinder head screw, DIN EN ISO 1580, DIN 84 Channel nut, B7						
WPLKAB 40S	129 mm	390 mm	110 mm	100 mm	1,50 mm	0,95 kg
Incl.: 2x FKS 6x10 2x AM16 M6F						
Slotted cylinder head screw, DIN EN ISO 1580, DIN 84 Channel nut, B7						
WPLKAB 50S	129 mm	490 mm	110 mm	100 mm	1,50 mm	1,20 kg
Incl.: 3x FKS 6x10 3x AM16 M6F						
Slotted cylinder head screw, DIN EN ISO 1580, DIN 84 Channel nut, B7						
WPLKAB 60S	129 mm	590 mm	110 mm	100 mm	1,50 mm	1,44 kg
Incl.: 3x FKS 6x10 3x AM16 M6F						
Slotted cylinder head screw, DIN EN ISO 1580, DIN 84 Channel nut, B7						





Hot-dip galvanized, according to BS 729 (DIN EN ISO 1461)

Product	H	B	L	R	t	G
WPLKAB 20F	129 mm	190 mm	110 mm	100 mm	1,50 mm	0,51 kg
Incl.:						
2x FKS 6x10E 2x AM16 M6E4		Slotted cylinder head screw, DIN EN ISO 1580, DIN 84 Channel nut, B7				
WPLKAB 30F	129 mm	290 mm	110 mm	100 mm	1,50 mm	0,76 kg
Incl.:						
2x FKS 6x10E 2x AM16 M6E4		Slotted cylinder head screw, DIN EN ISO 1580, DIN 84 Channel nut, B7				
WPLKAB 40F	129 mm	390 mm	110 mm	100 mm	1,50 mm	1,01 kg
Incl.:						
2x FKS 6x10E 2x AM16 M6E4		Slotted cylinder head screw, DIN EN ISO 1580, DIN 84 Channel nut, B7				
WPLKAB 50F	129 mm	490 mm	110 mm	100 mm	1,50 mm	1,28 kg
Incl.:						
3x FKS 6x10E 3x AM16 M6E4		Slotted cylinder head screw, DIN EN ISO 1580, DIN 84 Channel nut, B7				
WPLKAB 60F	129 mm	590 mm	110 mm	100 mm	1,50 mm	1,53 kg
Incl.:						
3x FKS 6x10E 3x AM16 M6E4		Slotted cylinder head screw, DIN EN ISO 1580, DIN 84 Channel nut, B7				

Stainless steel, according to ASTM 304 / BS 304 S 3

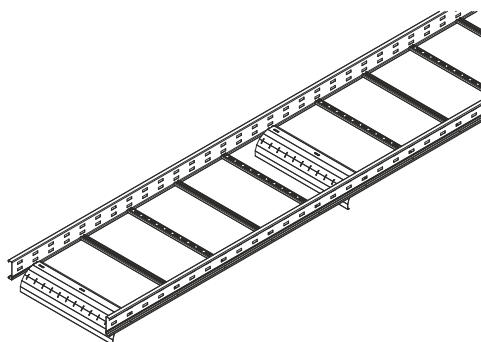
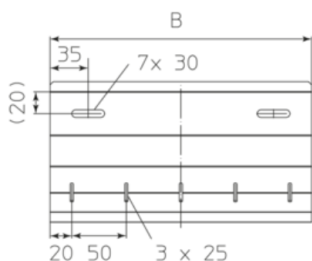
Product	H	B	L	R	t	G
WPLKAB 20E	129 mm	190 mm	110 mm	100 mm	1,50 mm	0,49 kg
Incl.:						
2x FKS 6x10E 2x AM16 M6E4		Slotted cylinder head screw, DIN EN ISO 1580, DIN 84 Channel nut, B7				
WPLKAB 30E	129 mm	290 mm	110 mm	100 mm	1,50 mm	0,73 kg
Incl.:						
2x FKS 6x10E 2x AM16 M6E4		Slotted cylinder head screw, DIN EN ISO 1580, DIN 84 Channel nut, B7				
WPLKAB 40E	129 mm	390 mm	110 mm	100 mm	1,50 mm	0,97 kg
Incl.:						
2x FKS 6x10E 2x AM16 M6E4		Slotted cylinder head screw, DIN EN ISO 1580, DIN 84 Channel nut, B7				
WPLKAB 50E	129 mm	490 mm	110 mm	100 mm	1,50 mm	1,22 kg
Incl.:						
3x FKS 6x10E 3x AM16 M6E4		Slotted cylinder head screw, DIN EN ISO 1580, DIN 84 Channel nut, B7				



Product	H	B	L	R	t	G
WPLKAB 60F	129 mm	590 mm	110 mm	100 mm	1,50 mm	1,46 kg
Incl.:						
3x FKS 6x10E		Slotted cylinder head screw, DIN EN ISO 1580, DIN 84				
3x AM16 M6E4		Channel nut, B7				

H : Height
B : Width
L : Length
R : Radius
t : Material thickness
G : Weight

DETAILS / APPLICATIONS



OPTIONAL ACCESSORIES

