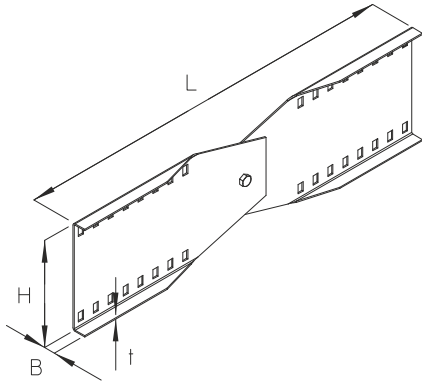


## WLWV 200

Wide-span connector, vertical, height=200 mm

Wide-span connector, vertical.



**Continuously hot galvanized (Sendzimir process) (DIN EN 10346)**

| Product       | H      | B                                  | L      | t       | G       |
|---------------|--------|------------------------------------|--------|---------|---------|
| WLWV 200S     | 208 mm | 26 mm                              | 756 mm | 2,50 mm | 3,73 kg |
| Incl.:        |        |                                    |        |         |         |
| 1x SES 12x20  |        | Hexagon head bolt, DIN 933         |        |         |         |
| 1x FS 12      |        | Serrated lock washer               |        |         |         |
| 1x SEM 12     |        | Hexagon-nut, DIN 934               |        |         |         |
| 8x FRSV 10x20 |        | Round-head screw with short square |        |         |         |
| 8x SEMS 10    |        | Hexagon-nut with flange, DIN 6923  |        |         |         |

**Hot-dip galvanized, according to BS 729 (DIN EN ISO 1461)**

| Product        | H      | B                                  | L      | t       | G       |
|----------------|--------|------------------------------------|--------|---------|---------|
| WLWV 200F      | 208 mm | 26 mm                              | 756 mm | 2,50 mm | 4,00 kg |
| Incl.:         |        |                                    |        |         |         |
| 1x SES 12x20F  |        | Hexagon head bolt, DIN 933         |        |         |         |
| 1x FS 12E      |        | Serrated lock washer               |        |         |         |
| 1x SEM 12F     |        | Hexagon-nut, DIN 934               |        |         |         |
| 8x FRSV 10x20F |        | Round-head screw with short square |        |         |         |
| 8x SEM 10F     |        | Hexagon-nut, DIN 934               |        |         |         |
| 8x US 10x21F   |        | Washer, DIN 125                    |        |         |         |

**H** : Height

**B** : Width

**L** : Length

**t** : Material thickness

**G** : Weight



## DETAILS / APPLICATIONS

