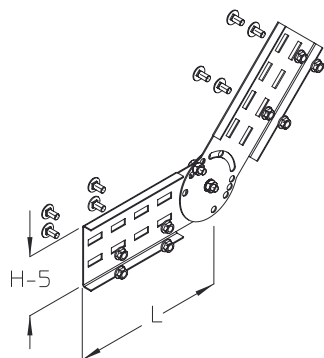


WPWV 120

Wide-span coupler, height=120 mm



All other angles up to 90° maximum are to be set above the elongated holes I.

This article is available made in material No. 1.4571/1.4404 (V4A) stainless steel finish.

Continuously hot galvanized (Sendzimir process) (DIN EN 10346)

Product	H	L	G
WPWV 120S	120 mm	253 mm	1,41 kg

Incl.:			
8x KLS 10X20 2x SES 10X20 2x SEM 10 1x FS 10		Fixing set Hexagon head bolt, DIN 933 Hexagon-nut, DIN 934 Serrated lock washer	

Hot-dip galvanized, according to BS 729 (DIN EN ISO 1461)

Product	H	L	G
WPWV 120F	120 mm	253 mm	1,18 kg

Incl.:			
8x KLS 10X20F 2x SES 10X20F 2x SEM 10F 1x FS 10E		Fixing set Hexagon head bolt, DIN 933 Hexagon-nut, DIN 934 Serrated lock washer	

H : Height
L : Length
G : Weight

