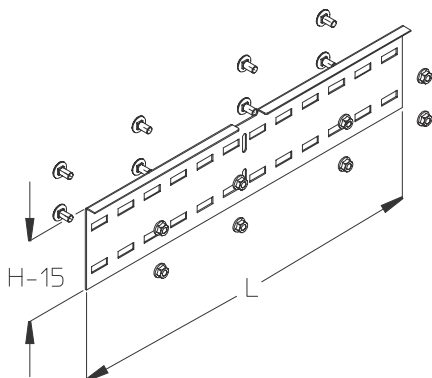


WPVH 100

Wide-span coupler, height=100 mm

This article is available made in material No. 1.4571/1.4404 (V4A) stainless steel finish.



Continuously hot galvanized (Sendzimir process) (DIN EN 10346)

Product	H	L	G
WPVH 100S	100 mm	400 mm	0,79 kg
Incl.:			
8x KLS 10X20		Fixing set	

Hot-dip galvanized, according to BS 729 (DIN EN ISO 1461)

Product	H	L	G
WPVH 100F	100 mm	400 mm	0,84 kg
Incl.:			
8x KLS 10X20F		Fixing set	

Stainless steel, according to ASTM 304 / BS 304 S 3

Product	H	L	G
WPVH 100E	100 mm	400 mm	0,79 kg
Incl.:			
8x KLS 10X20E		Fixing set	

H : Height
L : Length
G : Weight

