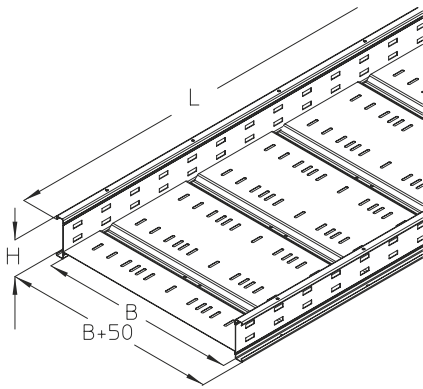


## WPR 120

Wide-span cable tray, height=120 mm

Wide-span cable tray, additional transverse rigidity due to welded and ripped inlay sheet. Electrical conductivity tested according to DIN EN 61537.



### Continuously hot galvanized (Sendzimir process) (DIN EN 10346)

Product	H	B	L	t	A	Q <sub>SK</sub>	Q <sub>LK</sub>	G
WPR 120-20S	120 mm	200 mm	6000 mm	1,50 mm	196 cm <sup>2</sup>	0,29 kN/m	0,55 kN/m	36,42 kg
WPR 120-30S	120 mm	300 mm	6000 mm	1,50 mm	294 cm <sup>2</sup>	0,44 kN/m	0,82 kN/m	42,10 kg
WPR 120-40S	120 mm	400 mm	6000 mm	1,50 mm	392 cm <sup>2</sup>	0,59 kN/m	1,10 kN/m	47,96 kg
WPR 120-50S	120 mm	500 mm	6000 mm	1,50 mm	490 cm <sup>2</sup>	0,74 kN/m	1,37 kN/m	53,84 kg
WPR 120-60S	120 mm	600 mm	6000 mm	1,50 mm	588 cm <sup>2</sup>	0,88 kN/m	1,65 kN/m	59,70 kg

### Hot-dip galvanized, according to BS 729 (DIN EN ISO 1461)

Product	H	B	L	t	A	Q <sub>SK</sub>	Q <sub>LK</sub>	G
WPR 120-20F	120 mm	200 mm	6000 mm	1,50 mm	196 cm <sup>2</sup>	0,29 kN/m	0,55 kN/m	38,97 kg
WPR 120-30F	120 mm	300 mm	6000 mm	1,50 mm	294 cm <sup>2</sup>	0,44 kN/m	0,82 kN/m	45,05 kg
WPR 120-40F	120 mm	400 mm	6000 mm	1,50 mm	392 cm <sup>2</sup>	0,59 kN/m	1,10 kN/m	51,32 kg
WPR 120-50F	120 mm	500 mm	6000 mm	1,50 mm	490 cm <sup>2</sup>	0,74 kN/m	1,37 kN/m	57,61 kg
WPR 120-60F	120 mm	600 mm	6000 mm	1,50 mm	588 cm <sup>2</sup>	0,88 kN/m	1,65 kN/m	63,88 kg

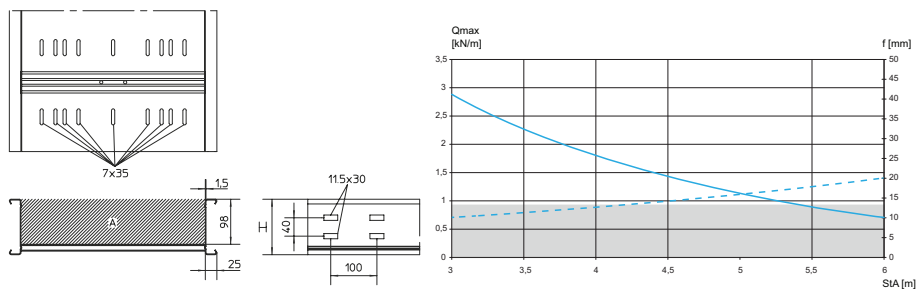
- H** : Height
- B** : Width
- L** : Length
- t** : Material thickness
- A** : Cross section area
- Q<sub>SK</sub>** : Distributed load control cable



$Q_{LK}$  : Distributed load power cable

G : Weight

## DETAILS / APPLICATIONS



## OPTIONAL ACCESSORIES

WPRK 120, WPV 120, WPVH 120, WPVW 120, WPTR 120, WPHS-A, WPHS-K, WPHS-P, WPHS-IS, WPREB, WPRB 120, WPRA 120, WPRAA 120, VB



Do not walk upon!



UL classified

