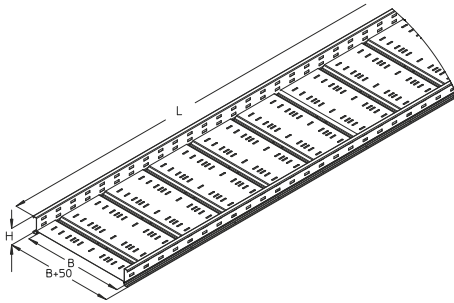


WPR 100

Wide-span cable tray, height=100 mm



Wide-span cable tray, additional transverse rigidity due to welded and ripped inlay sheet. Electrical conductivity tested according to DIN EN 61537.

This article is available made in material No. 1.4571/1.4404 (V4A) stainless steel finish.



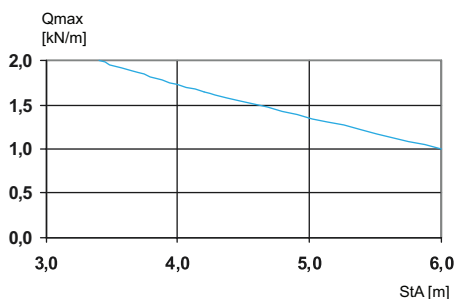
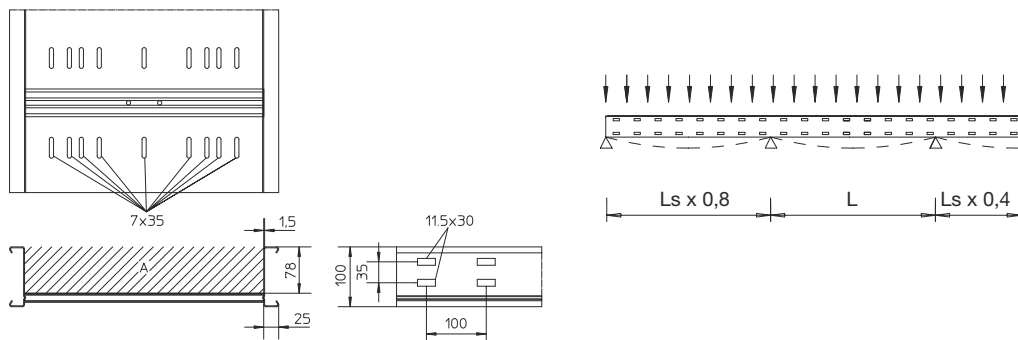
Stainless steel, according to ASTM 304 / BS 304 S 3

Product	H	B	L	t	A	Q _{SK}	Q _{LK}	G
WPR 100-20E	100 mm	200 mm	6000 mm	1,50 mm	156 cm ²	0,23 kN/m	0,44 kN/m	36,26 kg
WPR 100-30E	100 mm	300 mm	6000 mm	1,50 mm	234 cm ²	0,35 kN/m	0,66 kN/m	43,14 kg
WPR 100-40E	100 mm	400 mm	6000 mm	1,50 mm	312 cm ²	0,47 kN/m	0,87 kN/m	50,26 kg
WPR 100-50E	100 mm	500 mm	6000 mm	1,50 mm	390 cm ²	0,59 kN/m	1,09 kN/m	57,38 kg
WPR 100-60E	100 mm	600 mm	6000 mm	1,50 mm	468 cm ²	0,70 kN/m	1,31 kN/m	64,48 kg

- H** : Height
- B** : Width
- L** : Length
- t** : Material thickness
- A** : Cross section area
- Q_{SK}** : Distributed load control cable
- Q_{LK}** : Distributed load power cable
- G** : Weight

DETAILS / APPLICATIONS





OPTIONAL ACCESSORIES

WPEA 100, WPV 100, WPVH 100, WPVV 100, WPTR 100, WPHS-A, WPHS-K, WPHS-P, WPHS-IS, WPREB, WPRKAB, H, VB



Do not walk upon!

