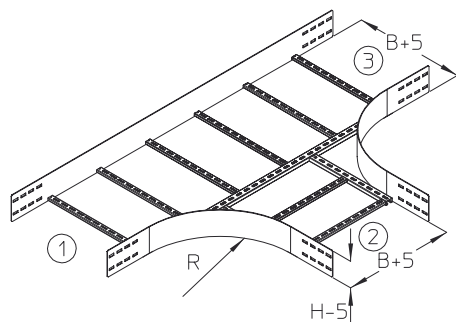


WPLA 150

Wide-span branch-piece, height=150 mm



Wide-span branch, formed component, integrated connectors included. Formed components must be supported at all sides.

This article is available made in material No. 1.4571/1.4404 (V4A) stainless steel finish.



Hot-dip galvanized, according to BS 729 (DIN EN ISO 1461)

Product	H	B	R	G
WPLA 150-20F	150 mm	200 mm	450 mm	18,99 kg
Incl.: 12x KLS 10X20F			Fixing set	
WPLA 150-30F	150 mm	300 mm	450 mm	20,14 kg
Incl.: 12x KLS 10X20F			Fixing set	
WPLA 150-40F	150 mm	400 mm	450 mm	21,18 kg
Incl.: 12x KLS 10X20F			Fixing set	
WPLA 150-50F	150 mm	500 mm	450 mm	22,21 kg
Incl.: 12x KLS 10X20F			Fixing set	
WPLA 150-60F	150 mm	600 mm	450 mm	23,66 kg
Incl.: 12x KLS 10X20F			Fixing set	

Stainless steel, according to ASTM 304 / BS 304 S 3

Product	H	B	R	G
WPLA 150-20E	150 mm	200 mm	450 mm	17,90 kg
Incl.: 12x KLS 10X20E			Fixing set	





Product	H	B	R	G
WPLA 150-30E	150 mm	300 mm	450 mm	18,99 kg

Incl.:	12x KLS 10X20E		Fixing set	
WPLA 150-40E	150 mm	400 mm	450 mm	19,97 kg

Incl.:	12x KLS 10X20E		Fixing set	
WPLA 150-50E	150 mm	500 mm	450 mm	20,94 kg

Incl.:	12x KLS 10X20E		Fixing set	
WPLA 150-60E	150 mm	600 mm	450 mm	22,31 kg

Incl.:	12x KLS 10X20E		Fixing set	

H : Height
B : Width
R : Radius
G : Weight

OPTIONAL ACCESSORIES

WPAD



UL classified

