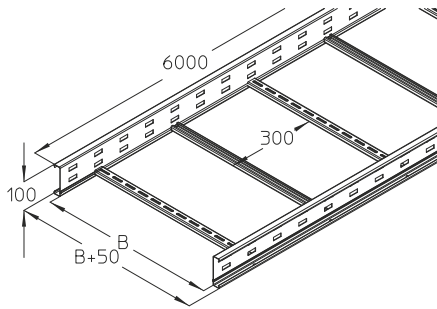


WPL 100

Wide-span cable ladder, height=100 mm



Wide-span cable ladder, additional transverse rigidity due to welded rungs made of profile rungs. Electrical conductivity tested according to DIN EN 61537.

This article is available made in material No. 1.4571/1.4404 (V4A) stainless steel finish.



Continuously hot galvanized (Sendzimir process) (DIN EN 10346)

Product	H	B	L	t	A	Q _{SK}	Q _{LK}	G
WPL 100-20S	100 mm	200 mm	6000 mm	1,50 mm	156 cm ²	0,23 kN/m	0,44 kN/m	24,59 kg
WPL 100-30S	100 mm	300 mm	6000 mm	1,50 mm	234 cm ²	0,35 kN/m	0,66 kN/m	25,96 kg
WPL 100-40S	100 mm	400 mm	6000 mm	1,50 mm	312 cm ²	0,47 kN/m	0,87 kN/m	27,33 kg
WPL 100-50S	100 mm	500 mm	6000 mm	1,50 mm	390 cm ²	0,59 kN/m	1,09 kN/m	28,71 kg
WPL 100-60S	100 mm	600 mm	6000 mm	1,50 mm	468 cm ²	0,70 kN/m	1,31 kN/m	30,08 kg

Hot-dip galvanized, according to BS 729 (DIN EN ISO 1461)

Product	H	B	L	t	A	Q _{SK}	Q _{LK}	G
WPL 100-20F	100 mm	200 mm	6000 mm	1,50 mm	156 cm ²	0,23 kN/m	0,44 kN/m	25,86 kg
WPL 100-30F	100 mm	300 mm	6000 mm	1,50 mm	234 cm ²	0,35 kN/m	0,66 kN/m	27,33 kg
WPL 100-40F	100 mm	400 mm	6000 mm	1,50 mm	312 cm ²	0,47 kN/m	0,87 kN/m	28,80 kg
WPL 100-50F	100 mm	500 mm	6000 mm	1,50 mm	390 cm ²	0,59 kN/m	1,09 kN/m	30,27 kg
WPL 100-60F	100 mm	600 mm	6000 mm	1,50 mm	468 cm ²	0,70 kN/m	1,31 kN/m	31,74 kg

Stainless steel, according to ASTM 304 / BS 304 S 3

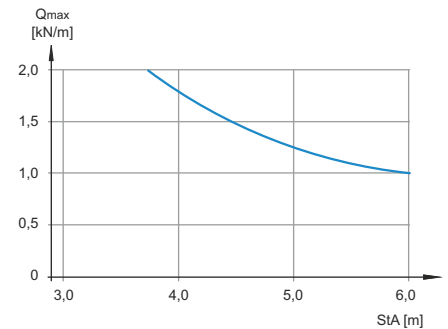
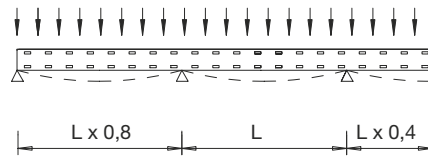
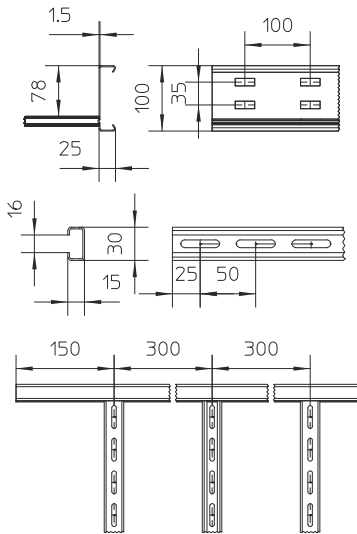
Product	H	B	L	t	A	Q _{SK}	Q _{LK}	G
WPL 100-20E	100 mm	200 mm	6000 mm	1,50 mm	156 cm ²	0,23 kN/m	0,44 kN/m	24,59 kg
WPL 100-30E	100 mm	300 mm	6000 mm	1,50 mm	234 cm ²	0,35 kN/m	0,66 kN/m	25,96 kg
WPL 100-40E	100 mm	400 mm	6000 mm	1,50 mm	312 cm ²	0,47 kN/m	0,87 kN/m	27,33 kg
WPL 100-50E	100 mm	500 mm	6000 mm	1,50 mm	390 cm ²	0,59 kN/m	1,09 kN/m	28,71 kg
WPL 100-60E	100 mm	600 mm	6000 mm	1,50 mm	468 cm ²	0,70 kN/m	1,31 kN/m	30,08 kg

Page 1



- H** : Height
- B** : Width
- L** : Length
- t** : Material thickness
- A** : Cross section area
- Q_{sk}** : Distributed load control cable
- Q_{LK}** : Distributed load power cable
- G** : Weight

DETAILS / APPLICATIONS



OPTIONAL ACCESSORIES

WPLB 100, WPLS 100, WPLF 100, WPLA 100, WPLAA 100, WPLK 100, WPV 100, WPVH 100, WPVW 100, WPTR 100, WPHS-A, WPHS-K, WPHS-P, WPHS-IS, WPKAB, H



Do not walk upon!

