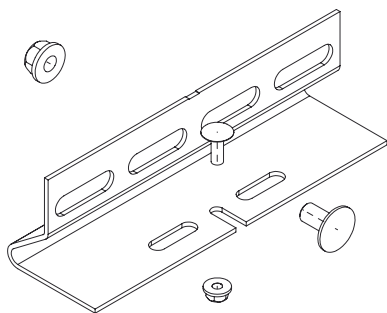


WPHS-K

Flange mounting clamp (brackets)



Flange mounting clamp (brackets).

This article is available made in material No. 1.4571/1.4404 (V4A) stainless steel finish.

Continuously hot galvanized (Sendzimir process) (DIN EN 10346)

Product	G
WPHS-K S	0,51 kg
Incl.:	
1x KLS 10X20	Fixing set Round-head screw with short square Hexagon nut, self-locking, DIN 6923
1x FRSV 6X16	
1x SEMS 6	

Hot-dip galvanized, according to BS 729 (DIN EN ISO 1461)

Product	G
WPHS-K F	0,55 kg
Incl.:	
1x KLS 10X20F	Fixing set Round-head screw with short square Hexagon nut, self-locking, DIN 6923
1x FRSV 6X16E	
1x SEMS 6E	

Stainless steel, according to ASTM 304 / BS 304 S 3

Product	G
WPHS-K E	0,51 kg
Incl.:	
1x KLS 10X20E	Fixing set Round-head screw with short square Hexagon nut, self-locking, DIN 6923
1x FRSV 6X16E	
1x SEMS 6E	

G : Weight

