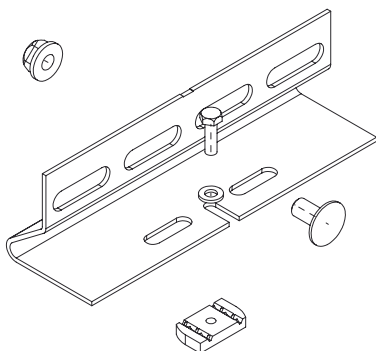


WPHS-A

Flange mounting clamp (C-profiles)



Continuously hot galvanized (Sendzimir process) (DIN EN 10346)

Product	G
WPHS-A S	0,53 kg
Incl.:	
1x SES 6X20	Hexagon head bolt, DIN 933
1x US 6X12	Square washer, DIN 125
1x AM22 M6	Channel nut, A 41/ KHA 41/ KHAL 41
1x KLS 10X20	Fixing set

Hot-dip galvanized, according to BS 729 (DIN EN ISO 1461)

Product	G
WPHS-A F	0,57 kg
Incl.:	
1x KLS 10X20F	Fixing set
1x SES 6X20E	Hexagon head bolt, DIN 933
1x US 6X12E	Square washer, DIN 125
1x AM22 M6F	Channel nut, A 41/ KHA 41/ KHAL 41

Stainless steel, according to ASTM 304 / BS 304 S 3

Product	G
WPHS-A E	0,53 kg
Incl.:	
1x SES 6X20E	Hexagon head bolt, DIN 933
1x US 6X12E	Square washer, DIN 125
1x AM22 M6E4	Channel nut, A 41/ KHA 41/ KHAL 41
1x KLS 10X20E	Fixing set

G : Weight

