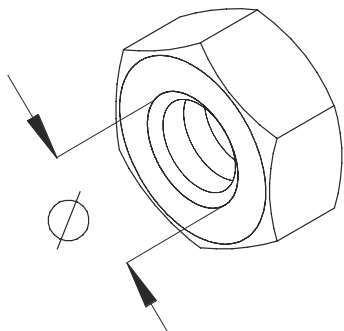


SEM

Hexagon-nut, DIN 934



Galvanized, according to ISO 4042

Product	Ø	t	SW	G
SEM 6	6 mm	5,00 mm	10 mm	0,30 kg/100
SEM 8	8 mm	6,50 mm	13 mm	0,50 kg/100
SEM 10	10 mm	8,00 mm	17(15) mm	1,00 kg/100
SEM 12	12 mm	10,00 mm	19(18) mm	1,40 kg/100

Hot-dip galvanized, according to BS 729 (DIN EN ISO 1461)

Product	Ø	t	SW	G
SEM 10F	10 mm	8,00 mm	17(15) mm	1,00 kg/100
SEM 12F	12 mm	10,00 mm	19(18) mm	1,70 kg/100

Stainless steel, according to ASTM 304 / BS 304 S 3

Product	Ø	t	SW	G
SEM 6E	6 mm	5,00 mm	10 mm	0,30 kg/100
SEM 8E	8 mm	6,50 mm	13 mm	0,50 kg/100
SEM 10E	10 mm	8,00 mm	17(15) mm	1,00 kg/100
SEM 12E	12 mm	10,00 mm	19(18) mm	1,40 kg/100

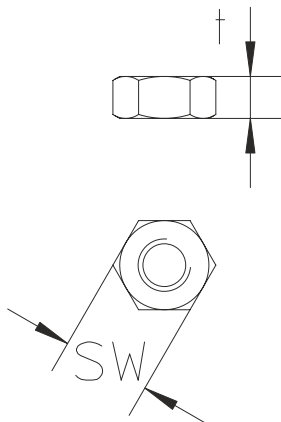


Stainless steel, according to ASTM 316 Ti / AISI 316 L, BS 320S17 / BS 316S11

Product	Ø	t	SW	G
SEM 6E4	6 mm	5,00 mm	10 mm	0,30 kg/100
SEM 8E4	8 mm	6,50 mm	13 mm	0,50 kg/100
SEM 10E4	10 mm	8,00 mm	17(15) mm	1,00 kg/100
SEM 12E4	12 mm	10,00 mm	19(18) mm	1,60 kg/100

Ø : Diameter
t : Material thickness
SW : Wrench size
G : Weight

DETAILS / APPLICATIONS



System E30 - E90. CNBOP-PIB nr CNBOP-PIB-KOT-2017/0013-3703

