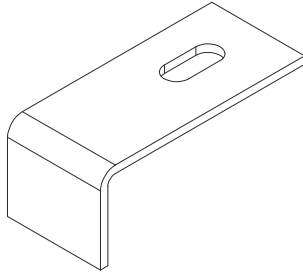


RP

Back plate for wall bracket KW/KWF



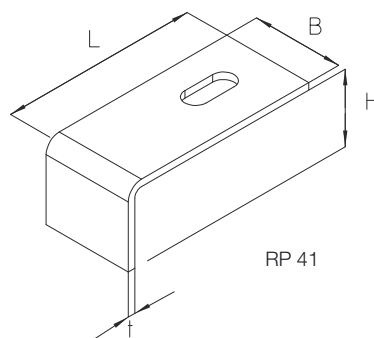
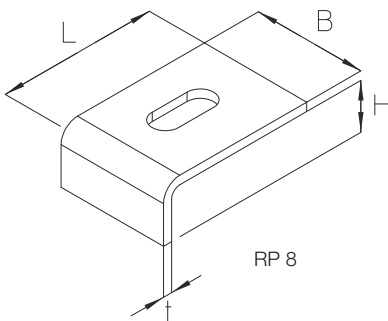
The back plate RP is suitable for brackets KWF or KW, which are fastened to steel profiles by means of horizontal profile rails KHA 8 or KHA 41. The back plate between bracket and profile rail prevents torsional forces on the horizontal profile rail. RP 8 is designed for KHA 8 profile rails, RP 41 for KHA 41 profile rails.

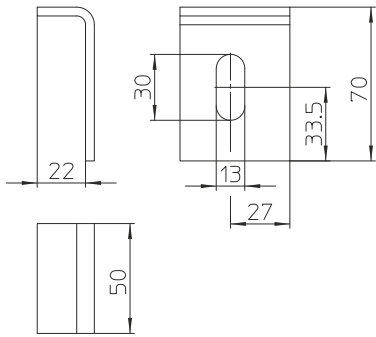
Hot-dip galvanized, according to BS 729 (DIN EN ISO 1461)

Product	H	L	B	t	G
RP 8F	110 mm	21 mm	40 mm	4,00 mm	0,158 kg
RP 41F	110 mm	41 mm	40 mm	4,00 mm	0,181 kg

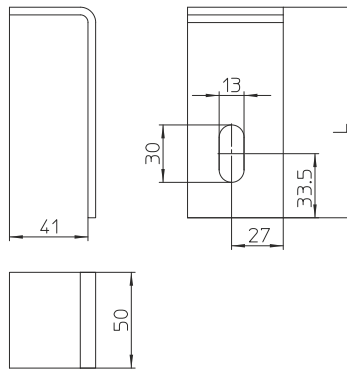
H : Height
L : Width
B : Length
t : Material thickness
G : Weight

DETAILS / APPLICATIONS

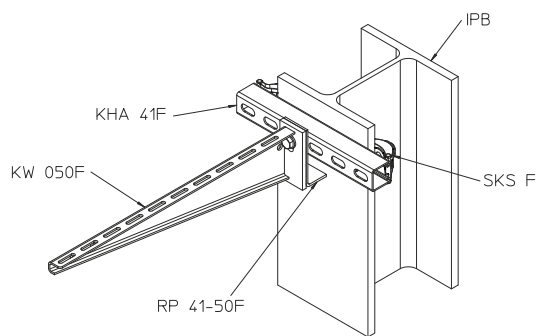
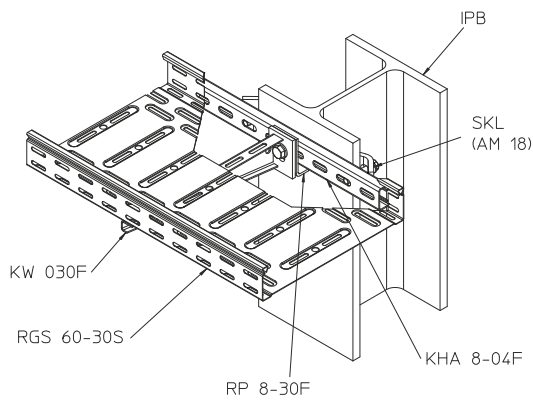




RP 8



RP 41



OPTIONAL ACCESSORIES

KHA 8, KHA 41, KWF, KW, SKL A, SKS A, SES, US125, AM 18, AM 22

