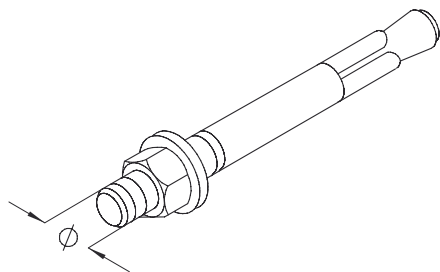


SD

Expansion anchor



Permissible as single fastening. Permissible load in cracked and non-cracked normal concrete of strength $\geq C20/25$. Manufacturer's information has to be observed strictly.



Galvanized, according to ISO 4042

Produkt	L_{min}	D	\emptyset	t	Pzul	G
SD 6/75	40 mm	6 mm	6 mm	0-30 mm	1,90 kN	1,63 kg/100
SD 8/10	55 mm	8 mm	8 mm	0-10 mm	3,60 kN	3,50 kg/100
SD 8/30	55 mm	8 mm	8 mm	0-30 mm	3,60 kN	4,40 kg/100
SD 10/10	75 mm	10 mm	10 mm	0-10 mm	5,70 kN	6,20 kg/100
SD 10/30	75 mm	10 mm	10 mm	0-30 mm	5,70 kN	7,80 kg/100
SD 12/10	90 mm	12 mm	12 mm	0-10 mm	9,50 kN	11,00 kg/100
SD 16/25	110 mm	16 mm	16 mm	0-25 mm	13,40 kN	26,30 kg/100

Flake zinc, EN ISO 10683

Produkt	L_{min}	D	\emptyset	t	Pzul	G
SD 8/10F	55 mm	8 mm	8 mm	0-10 mm	1,98 kN	3,50 kg/100
SD 8/30F	55 mm	8 mm	8 mm	0-30 mm	1,98 kN	4,40 kg/100
SD 10/10F	75 mm	10 mm	10 mm	0-10 mm	4,29 kN	6,20 kg/100
SD 10/30F	75 mm	10 mm	10 mm	0-30 mm	4,29 kN	7,80 kg/100
SD 12/10F	90 mm	12 mm	12 mm	0-10 mm	5,71 kN	11,00 kg/100
SD 16/25F	110 mm	16 mm	16 mm	0-25 mm	9,52 kN	26,30 kg/100



Stainless steel, according to ASTM 316 Ti / AISI 316 L, BS 320S17 / BS 316S11

Produkt	L_{min}	D	\emptyset	t	Pzul	G
SD 6/75E4	40 mm	6 mm	6 mm	0-30 mm	1,90 kN	1,63 kg/100
SD 8/10E4	55 mm	8 mm	8 mm	0-10 mm	1,98 kN	3,60 kg/100
SD 10/10E4	75 mm	10 mm	10 mm	0-10 mm	4,29 kN	6,20 kg/100
SD 12/10E4	90 mm	12 mm	12 mm	0-10 mm	5,71 kN	10,90 kg/100

L_{min} : Minimum drilling depth

D : Diameter

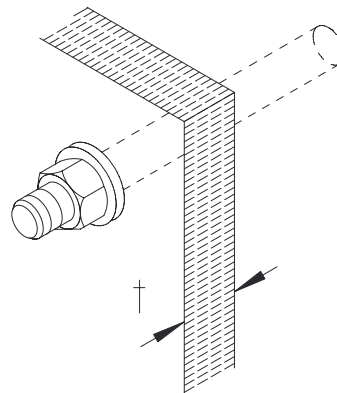
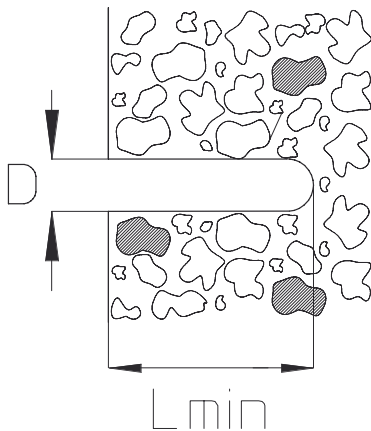
\emptyset : Diameter

t : Material thickness

Pzul : Permissible load

G : Weight

DETAILS / APPLICATIONS



System E30 - E90. CNBOP-PIB nr CNBOP-PIB-KOT-2017/0013-3703

