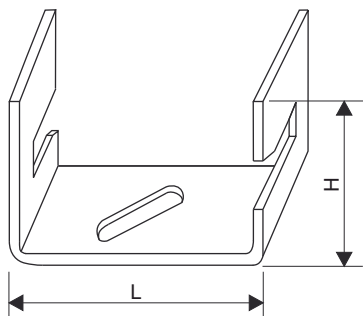


# U-508

Grounding strip holder

Grounding strip holder.



**Steel, untreated and non-corrosive**

Product	H	L	G
U-508B	30 mm	45 mm	0,10 kg
U-508AB	26 mm	57 mm	0,10 kg

**Hot-dip galvanized, according to BS 729 (DIN EN ISO 1461)**

Product	H	L	G
U-508F	30 mm	45 mm	0,10 kg
U-508AF	26 mm	57 mm	0,10 kg

- H:** Height
- L:** Length
- G:** Weight

