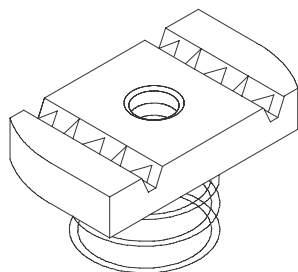


# AMF18

Channel spring nut, A 7/ A 8



**Galvanized, according to ISO 4042**

Product	Ø	t	G
AMF18 M6	6 mm	6,00 mm	2,70 kg/100
AMF18 M8	8 mm	6,00 mm	2,50 kg/100
AMF18 M10	10 mm	8,00 mm	3,40 kg/100
AMF18 M12	12 mm	9,50 mm	4,30 kg/100

**Hot-dip galvanized, according to BS 729 (DIN EN ISO 1461)**

Product	Ø	t	G
AMF18 M6F	6 mm	6,00 mm	2,90 kg/100
AMF18 M8F	8 mm	6,00 mm	2,70 kg/100
AMF18 M10F	10 mm	8,00 mm	3,60 kg/100
AMF18 M12F	12 mm	9,50 mm	4,60 kg/100

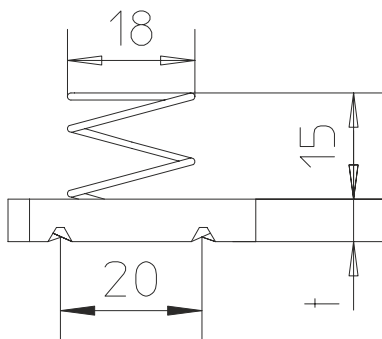
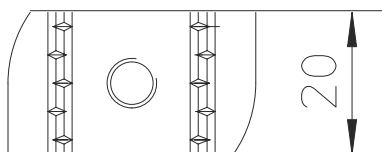
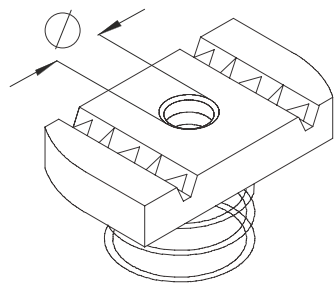
Ø : Diameter

t : Material thickness

G : Weight



## DETAILS / APPLICATIONS



System E30 - E90. CNBOP-PIB nr CNBOP-PIB-KOT-2017/0013-3703

