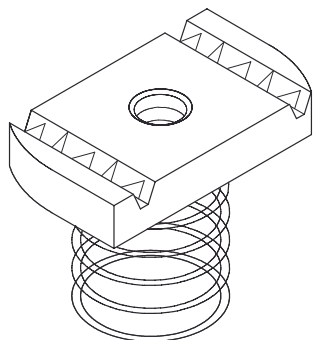


# AMF22

Channel spring nut, A 41



**Galvanized, according to ISO 4042**

Product	Ø	t	G
AMF22 M6	6 mm	6,00 mm	2,80 kg/100
AMF22 M8	8 mm	6,00 mm	2,60 kg/100
AMF22 M10	10 mm	8,00 mm	3,50 kg/100
AMF22 M12	12 mm	9,50 mm	4,40 kg/100

**Hot-dip galvanized, according to BS 729 (DIN EN ISO 1461)**

Product	Ø	t	G
AMF22 M6F	6 mm	6,00 mm	3,00 kg/100
AMF22 M8F	8 mm	6,00 mm	2,80 kg/100
AMF22 M10F	10 mm	8,00 mm	3,70 kg/100
AMF22 M12F	12 mm	9,50 mm	4,70 kg/100

**Stainless steel, according to ASTM 316 Ti / AISI 316 L, BS 320S17 / BS 316S11**

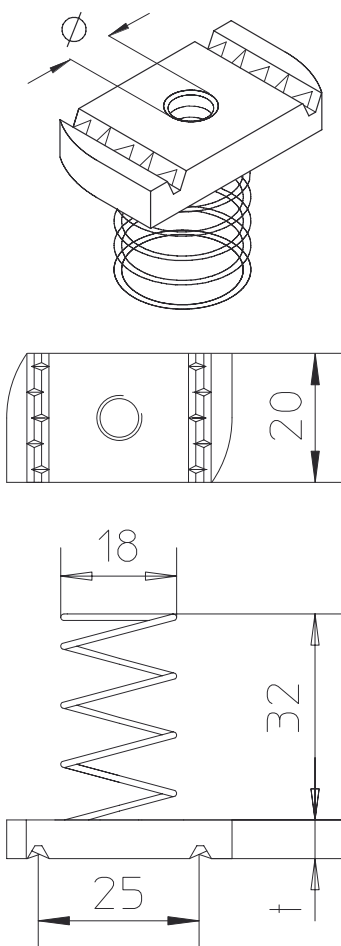
Product	Ø	t	G
AMF22 M6E4	6 mm	6,00 mm	2,70 kg/100
AMF22 M8E4	8 mm	6,00 mm	2,90 kg/100
AMF22 M10E4	10 mm	8,00 mm	3,50 kg/100



Product	Ø	t	G
AMF22 M12E4	12 mm	9,50 mm	4,40 kg/100

**Ø** : Diameter  
**t** : Material thickness  
**G** : Weight

## DETAILS / APPLICATIONS



System E30 - E90. CNBOP-PIB nr CNBOP-PIB-KOT-2017/0013-3703

