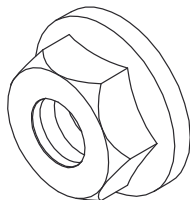


SEMS

Hexagon nut, self-locking, DIN 6923



Galvanized, according to ISO 4042

Product	D	Ø	t	SW	G
SEMS 6	14 mm	6 mm	5,50 mm	10 mm	0,30 kg/100
SEMS 8	17 mm	8 mm	7,50 mm	13 mm	0,70 kg/100
SEMS 10	21 mm	10 mm	9,50 mm	15 mm	1,60 kg/100

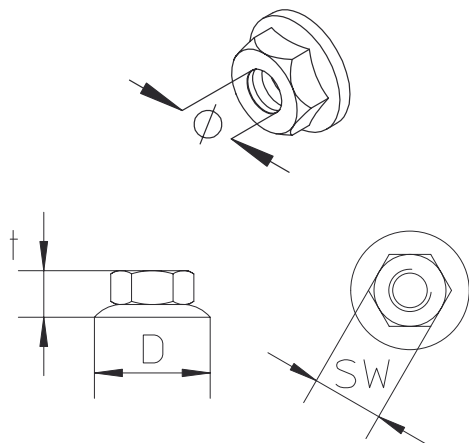
Stainless steel, according to ASTM 304 / BS 304 S 3

Product	D	Ø	t	SW	G
SEMS 6E	14 mm	6 mm	5,50 mm	10 mm	0,30 kg/100
SEMS 8E	17 mm	8 mm	7,50 mm	13 mm	0,70 kg/100
SEMS 10E	21 mm	10 mm	9,50 mm	15 mm	1,60 kg/100

D : Diameter
Ø : Diameter
t : Material thickness
SW : Wrench size
G : Weight



DETAILS / APPLICATIONS



System E30 - E90. CNBOP-PIB nr CNBOP-PIB-KOT-2017/0013-3703

