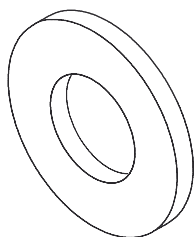


# UVS

Captive washer

Captive washer.

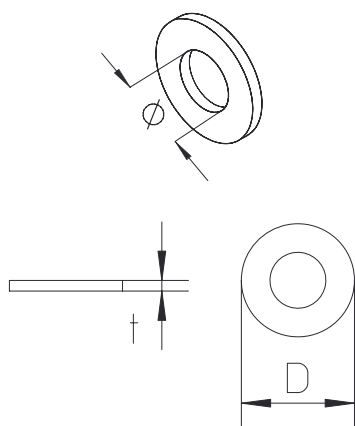


**Polyethylen**

Product	D	Ø	t	G
UVS M6	12,5 mm	6,0 mm	1,3 mm	<0,01 kg/100
UVS M8	16,2 mm	8,0 mm	1,65 mm	<0,01 kg/100
UVS M10	30,0 mm	10,5 mm	2,1 mm	<0,01 kg/100
UVS M10x24	24,0 mm	10,0 mm	2,1 mm	<0,01 kg/100

- L** : Length
- Ø** : Diameter
- t** : Material thickness
- G** : Weight

## DETAILS / APPLICATIONS





System E30 - E90. CNBOP-PIB nr CNBOP-PIB-KOT-2017/0013-3703

