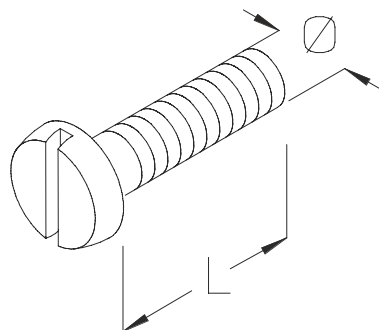


FKS

Slotted cylinder head screw, DIN EN ISO 1580 / DIN 84



Galvanized, according to ISO 4042

Product	L	D	Ø	G
FKS 6X10	10 mm	12 mm	6 mm	0,40 kg/100
FKS 6X20	20 mm	12 mm	6 mm	0,60 kg/100
FKS 6X25	25 mm	12 mm	6 mm	0,70 kg/100
FKS 8X20	20 mm	16 mm	8 mm	1,30 kg/100

Stainless steel, according to ASTM 304 / BS 304 S 3

Product	L	D	Ø	G
FKS 6X10E	10 mm	12 mm	6 mm	0,40 kg/100
FKS 6X16E	16 mm	12 mm	6 mm	0,40 kg/100
FKS 6X20E	20 mm	12 mm	6 mm	0,60 kg/100
FKS 6X25E	25 mm	12 mm	6 mm	0,70 kg/100

Stainless steel, according to ASTM 316 Ti / AISI 316 L, BS 320S17 / BS 316S11

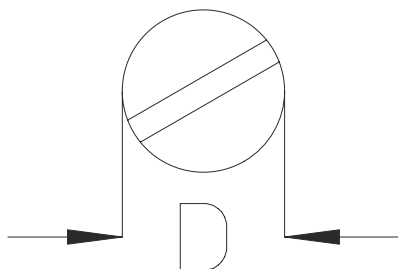
Product	L	D	Ø	G
FKS 6X16E4	16 mm	12 mm	6 mm	0,40 kg/100
FKS 8X16E4	16 mm	16 mm	8 mm	1,10 kg/100





L : Length
D : Diameter
Ø : Diameter
G : Weight

DETAILS / APPLICATIONS



System E30 - E90. CNBOP-PIB nr CNBOP-PIB-KOT-2017/0013-3703

