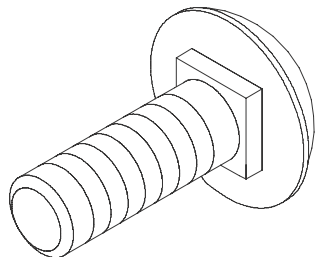


## FRS

Round-head screw with short square, DIN 603



### Galvanized, according to ISO 4042

Product	L	D	Ø	d	G
FRS 6X25	25 mm	16 mm	6 mm	4 mm	0,70 kg/100
FRS 8X20	20 mm	20 mm	8 mm	5 mm	1,40 kg/100
FRS 8X25	25 mm	20 mm	8 mm	5 mm	1,50 kg/100
FRS 8X35	35 mm	20 mm	8 mm	5 mm	1,90 kg/100
FRS 8X50	50 mm	20 mm	8 mm	5 mm	2,20 kg/100
FRS 10X30	30 mm	24 mm	10 mm	6 mm	2,80 kg/100
FRS 12X30	30 mm	30 mm	12 mm	8 mm	4,60 kg/100

### Hot-dip galvanized, according to BS 729 (DIN EN ISO 1461)

Product	L	D	Ø	d	G
FRS 10X30F	30 mm	24 mm	10 mm	6 mm	4,90 kg/100
FRS 12X30F	30 mm	30 mm	12 mm	8 mm	4,60 kg/100

### Stainless steel, according to ASTM 304 / BS 304 S 3

Product	L	D	Ø	d	G
FRS 6X16E	16 mm	16 mm	6 mm	4 mm	0,60 kg/100
FRS 6X20E	20 mm	16 mm	6 mm	4 mm	0,60 kg/100



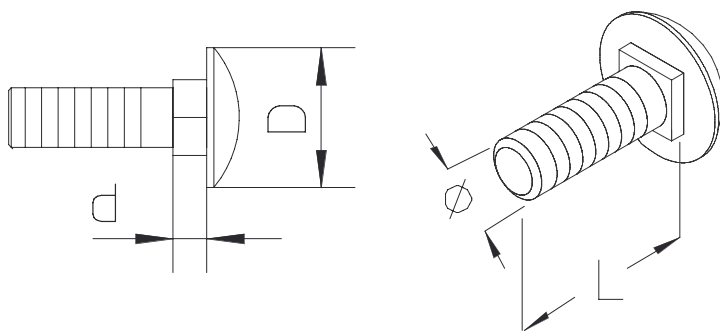
Product	L	D	Ø	d	G
FRS 6X25E	25 mm	16 mm	6 mm	4 mm	0,70 kg/100
FRS 6X50E	50 mm	16 mm	6 mm	4 mm	1,40 kg/100
FRS 8X20E	20 mm	20 mm	8 mm	5 mm	1,40 kg/100
FRS 8X25E	25 mm	20 mm	8 mm	5 mm	1,50 kg/100
FRS 8X35E	35 mm	20 mm	8 mm	5 mm	1,90 kg/100
FRS 8X50E	50 mm	20 mm	8 mm	5 mm	2,20 kg/100
FRS 10X30E	30 mm	24 mm	10 mm	6 mm	2,80 kg/100
FRS 12X30E	30 mm	30 mm	12 mm	8 mm	5,10 kg/100

Stainless steel, according to ASTM 316 Ti / AISI 316 L, BS 320S17 / BS 316S11

Product	L	D	Ø	d	G
FRS 6X20E4	20 mm	16 mm	6 mm	4 mm	0,80 kg/100
FRS 8X25E4	25 mm	20 mm	8 mm	5 mm	1,40 kg/100
FRS 8X50E4	50 mm	20 mm	8 mm	5 mm	2,30 kg/100

- L** : Length
- D** : Diameter
- Ø** : Diameter
- d** : Thickness
- G** : Weight

## DETAILS / APPLICATIONS



System E30 - E90. CNBOP-PIB nr CNBOP-PIB-KOT-2017/0013-3703

