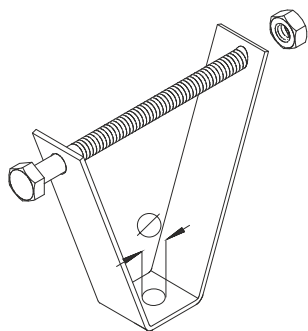


TBS

Trapezium bow



Manufacturer's information has to be observed strictly.
For hanging direct in trapeze profile.



Continuously hot galvanized (Sendzimir process) (DIN EN 10346)

Product	Ø	Pzul	H	B	B ₁	G
TBS 8S	11 mm	1,30 kN	82 mm	92 mm	32 mm	0,128 kg
Accessories included: 1x SES 8X110 1x SEM 8						
Hexagon head bolt, DIN 933 Hexagon-nut, DIN 934						
TBS 8/112S	11 mm	1,30 kN	112 mm	116 mm	33 mm	0,157 kg
Accessories included: 1x SES 8X150 1x SEM 8						
Hexagon head bolt, DIN 933 Hexagon-nut, DIN 934						
TBS 8/120S	11 mm	1,30 kN	120 mm	123 mm	33 mm	0,166 kg
Accessories included: 1x SES 8X150 1x SEM 8						
Hexagon head bolt, DIN 933 Hexagon-nut, DIN 934						
TBS 10S	11 mm	1,30 kN	82 mm	92 mm	32 mm	0,128 kg
Accessories included: 1x SES 8X110 1x SEM 8						
Hexagon head bolt, DIN 933 Hexagon-nut, DIN 934						
TBS 10/112S	11 mm	1,30 kN	112 mm	116 mm	33 mm	0,157 kg
Accessories included: 1x SES 8X150 1x SEM 8						
Hexagon head bolt, DIN 933 Hexagon-nut, DIN 934						
TBS 10/120S	11 mm	1,30 kN	120 mm	123 mm	33 mm	0,166 kg
Accessories included: 1x SES 8X150 1x SEM 8						
Hexagon head bolt, DIN 933 Hexagon-nut, DIN 934						



Hot-dip galvanized, according to BS 729 (DIN EN ISO 1461)

Product	Ø	Pzul	H	B	B ₁	G
TBS 8F	11 mm	1,30 kN	82 mm	92 mm	32 mm	0,132 kg
Accessories included: 1x SES 8X110E 1x SEM 8E						
		Hexagon head bolt, DIN 933 Hexagon-nut, DIN 934				
TBS 8/112F	11 mm	1,30 kN	112 mm	116 mm	33 mm	0,163 kg
Accessories included: 1x SES 8X150E 1x SEM 8E						
		Hexagon head bolt, DIN 933 Hexagon-nut, DIN 934				
TBS 8/120F	11 mm	1,30 kN	120 mm	123 mm	33 mm	0,172 kg
Accessories included: 1x SES 8X150E 1x SEM 8E						
		Hexagon head bolt, DIN 933 Hexagon-nut, DIN 934				
TBS 10F	11 mm	1,30 kN	82 mm	92 mm	32 mm	0,132 kg
Accessories included: 1x SES 8X110E 1x SEM 8E						
		Hexagon head bolt, DIN 933 Hexagon-nut, DIN 934				
TBS 10/112F	11 mm	1,30 kN	112 mm	116 mm	33 mm	0,163 kg
Accessories included: 1x SES 8X150E 1x SEM 8E						
		Hexagon head bolt, DIN 933 Hexagon-nut, DIN 934				
TBS 10/120F	11 mm	1,30 kN	120 mm	123 mm	33 mm	0,172 kg
Accessories included: 1x SES 8X150E 1x SEM 8E						
		Hexagon head bolt, DIN 933 Hexagon-nut, DIN 934				

Stainless steel, according to ASTM 304 / BS 304 S 3

Product	Ø	Pzul	H	B	B ₁	G
TBS 8E	11 mm	1,30 kN	82 mm	92 mm	32 mm	0,128 kg
Accessories included: 1x SES 8X110E 1x SEM 8E						
		Hexagon head bolt, DIN 933 Hexagon-nut, DIN 934				
TBS 8/112E	11 mm	1,30 kN	112 mm	116 mm	33 mm	0,157 kg
Accessories included: 1x SES 8X150E 1x SEM 8E						
		Hexagon head bolt, DIN 933 Hexagon-nut, DIN 934				
TBS 8/120E	11 mm	1,30 kN	120 mm	123 mm	33 mm	0,166 kg
Accessories included: 1x SES 8X150E 1x SEM 8E						
		Hexagon head bolt, DIN 933 Hexagon-nut, DIN 934				

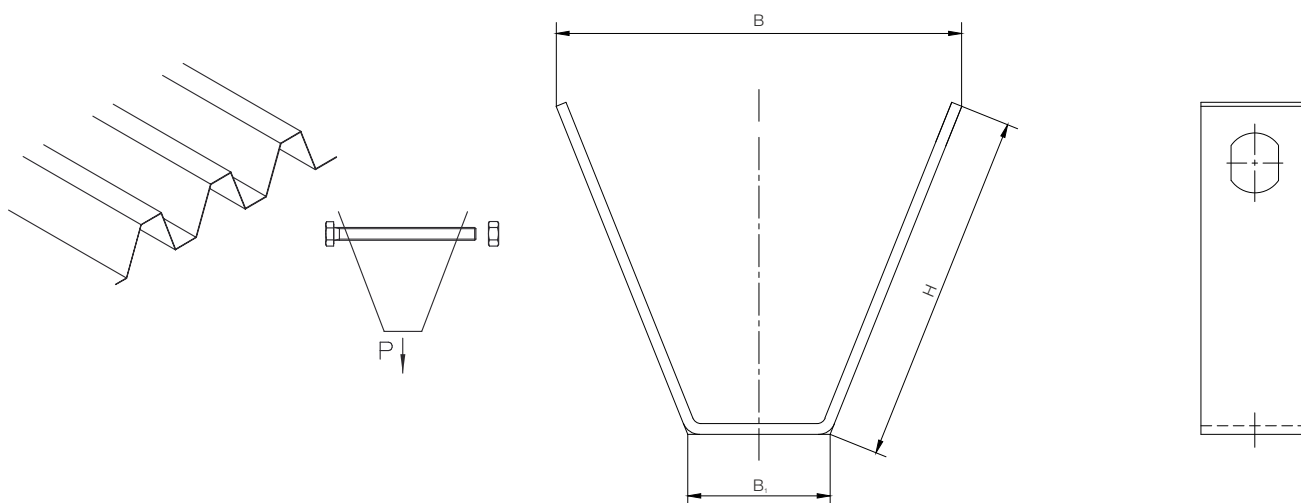


Stal nierdzewna, zgodnie z ASTM 304 / BS 304 S 3

Product	Ø	Pzul	H	B	B ₁	G
TBS 10E	11 mm	1,30 kN	82 mm	92 mm	32 mm	0,128 kg
Accessories included: 1x SES 8X110E 1x SEM 8E						
		Hexagon head bolt, DIN 933 Hexagon-nut, DIN 934				
TBS 10/112E	11 mm	1,30 kN	112 mm	116 mm	33 mm	0,157 kg
Accessories included: 1x SES 8X150E 1x SEM 8E						
		Hexagon head bolt, DIN 933 Hexagon-nut, DIN 934				
TBS 10/120E	11 mm	1,30 kN	120 mm	123 mm	33 mm	0,166 kg
Accessories included: 1x SES 8X150E 1x SEM 8E						
		Hexagon head bolt, DIN 933 Hexagon-nut, DIN 934				

- Ø : Diameter
- Pzul : Permissible tractive force
- H : Height
- B : Width
- B₁ : Width
- G : Weight

DETAILS / APPLICATIONS





OPTIONAL ACCESSORIES

HFEF8EXP 2, HFEF8 3, HFEF10EXP 2, HFEF10 3, HFEF10 4, GB



System E30 - E90. CNBOP-PIB nr CNBOP-PIB-KOT-2017/0013-3703

