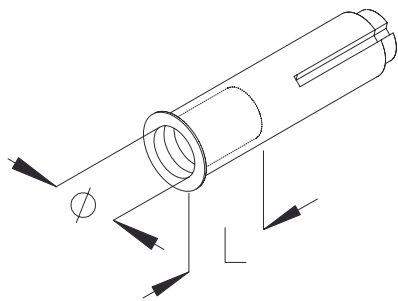


## SA

Anchor



Permissible as multiple fastening. Permissible load in non-cracked normal concrete of strength  $\geq C20/25$ . Manufacturer's information has to be observed strictly.



Galvanized, according to ISO 4042

Product	L	L <sub>min</sub>	D	Ø	Pzul	G
SA 6	6-12 mm	27 mm	8 mm	6 mm	3,95 kN	0,40 kg/100
SA 8	11-17 mm	33 mm	10 mm	8 mm	3,95 kN	0,50 kg/100
SA 10	13-19 mm	44 mm	12 mm	10 mm	6,10 kN	0,80 kg/100
SA 12	15-21 mm	54 mm	15 mm	12 mm	8,50 kN	1,60 kg/100

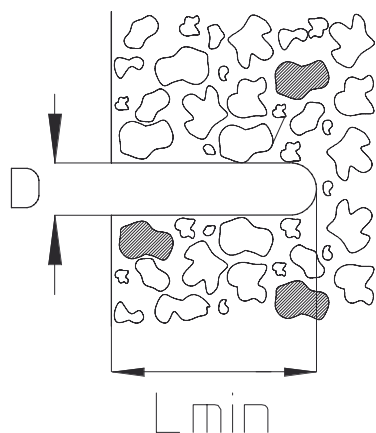
Stainless steel, according to ASTM 316 Ti / AISI 316 L, BS 320S17 / BS 316S11

Product	L	L <sub>min</sub>	D	Ø	Pzul	G
SA 6E4	6-12 mm	27 mm	8 mm	6 mm	3,95 kN	0,40 kg/100
SA 8E4	11-17 mm	33 mm	10 mm	8 mm	3,95 kN	0,50 kg/100
SA 10E4	13-19 mm	44 mm	12 mm	10 mm	6,10 kN	0,80 kg/100
SA 12E4	15-21 mm	54 mm	15 mm	12 mm	8,50 kN	1,60 kg/100

**L** : Length  
**L<sub>min</sub>** : Minimum drilling depth  
**D** : Diameter  
**Ø** : Diameter  
**Pzul** : Permissible tractive force  
**G** : Weight



## DETAILS / APPLICATIONS



System E30 - E90. CNBOP-PIB nr CNBOP-PIB-KOT-2017/0013-3703

