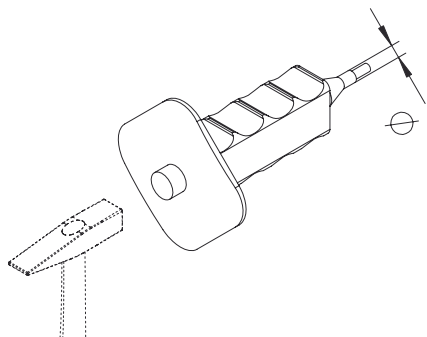


## SA-D

Anchor

Manufacturer's information has to be observed strictly.



Galvanized, according to ISO 4042

| Product | Ø     | G                |
|---------|-------|------------------|
| SA-D 8  | 8 mm  | 49,5 kg/100 szt. |
| SA-D 10 | 10 mm | 50,5 kg/100 szt. |
| SA-D 12 | 12 mm | 50,5 kg/100 szt. |

Ø : Diameter

G : Weight

