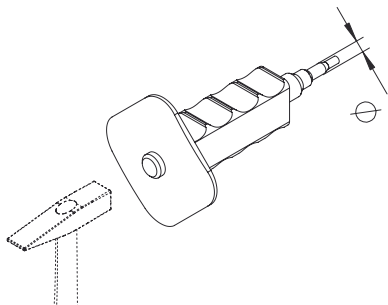


# SAZ-D

Anchor

Manufacturer's information has to be observed strictly.



Galvanized, according to ISO 4042

Product	Ø	G
SAZ-D 8	8 mm	44,4 kg/100 szt.
SAZ-D 10	10 mm	45,0 kg/100 szt.
SAZ-D 12	12 mm	45,2 kg/100 szt.

Ø : Diameter

G : Weight

