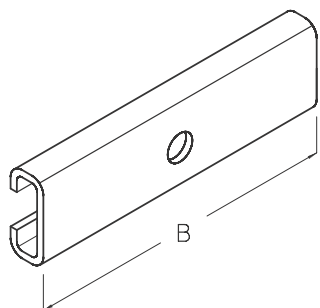


AN
Support

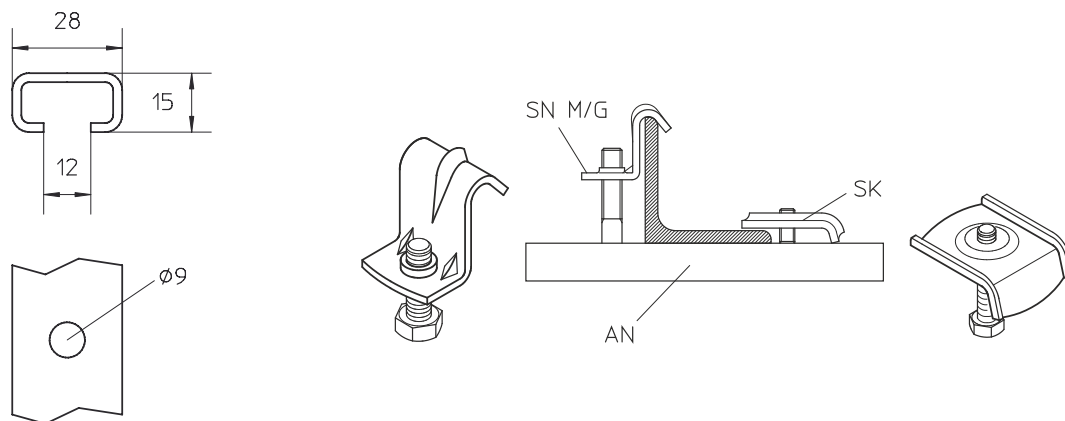


Hot-dip galvanized, according to BS 729 (DIN EN ISO 1461)

Product	B	G
AN 100F	100 mm	0,08 kg

G : Weight

DETAILS / APPLICATIONS



OPTIONAL ACCESSORIES

B, HB, ACF-E

