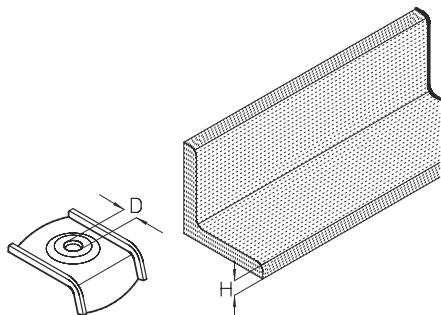


## SK Clamping claw



Hot-dip galvanized, according to BS 729 (DIN EN ISO 1461)

Product	H	D	G
SK 4 M8	4 mm	M 8 mm	3,50 kg/100
SK 6 M8	6 mm	M 8 mm	3,70 kg/100
SK 8 M8	8 mm	M 8 mm	4,00 kg/100
SK 10 M8	10 mm	M 8 mm	4,10 kg/100
SK 12 M8	12 mm	M 8 mm	4,40 kg/100

**H** : Height  
**D** : Diameter  
**G** : Weight

## DETAILS / APPLICATIONS

