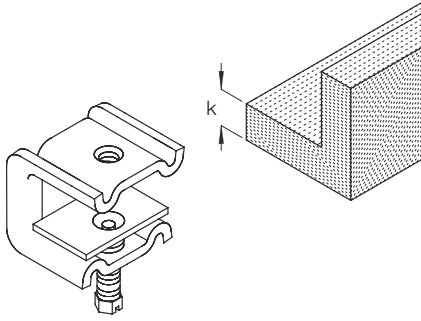


MKD

Beam clamp

Mounting clamp made of steel.



Hot-dip galvanized, according to BS 729 (DIN EN ISO 1461)

Product	B	Ø	k	P	M	G
MKD 21F	44 mm	M8 mm	6-21 mm	1,50 kN	4 Nm	0,190 kg
MKD 21 M6F	44 mm	M6 mm	6-21 mm	1,50 kN	4 Nm	0,195 kg
MKD 21 M10F	44 mm	M10 mm	6-21 mm	1,50 kN	4 Nm	0,173 kg
MKD 40F	44 mm	M8 mm	20-40 mm	1,30 kN	4 Nm	0,220 kg

Stainless steel, according to ASTM 304 / BS 304 S 3

Product	B	Ø	k	P	M	G
MKD 21E	44 mm	M8 mm	6-21 mm	1,50 kN	4 Nm	0,190 kg
MKD 40E	44 mm	M8 mm	20-40 mm	1,30 kN	4 Nm	0,220 kg

Stainless steel, according to ASTM 316 Ti / AISI 316 L, BS 320S17 / BS 316S11

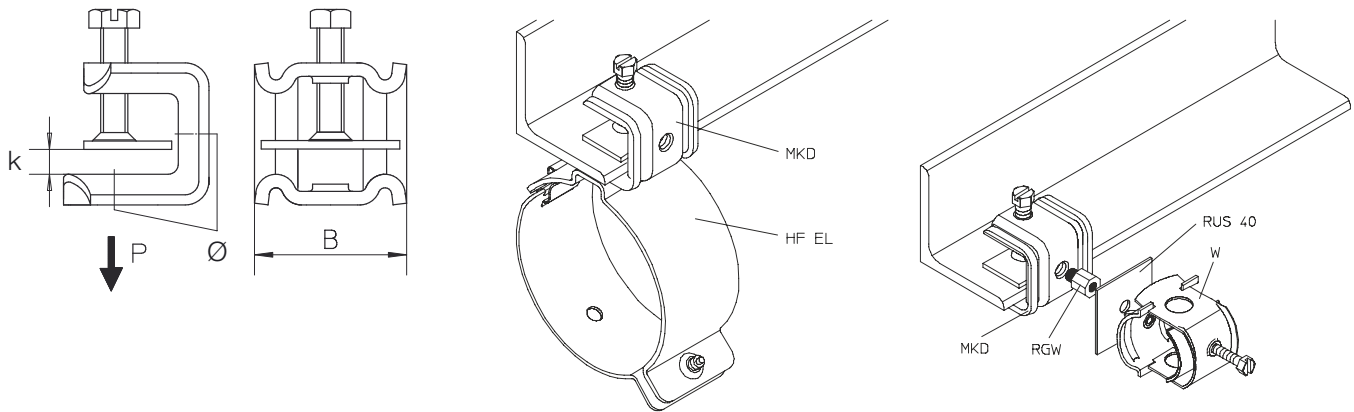
Product	B	Ø	k	P	M	G
MKD 21E4	44 mm	M8 mm	6-21 mm	1,50 kN	4 Nm	0,190 kg
MKD 40E4	44 mm	M8 mm	20-40 mm	1,30 kN	4 Nm	0,220 kg

B : Width
Ø : Diameter



k : Clamping range
P : Loading
M : Torque
G : Weight

DETAILS / APPLICATIONS



OPTIONAL ACCESSORIES

HFEF8EXP 2, HFEF8 3, GB

