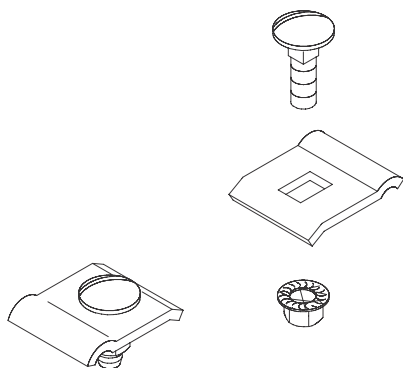


KLU

Fixing set

Complete set.



Continuously hot galvanized (Sendzimir process) (DIN EN 10346)

Product	G
KLU	2,50 kg/100

Accessories included: 2x FRSV 6X16 2x SEMS 6	Round-head screw with short square Hexagon nut, self-locking, DIN 6923

Hot-dip galvanized, according to BS 729 (DIN EN ISO 1461)

Product	G
KLU F	2,50 kg/100

Accessories included: 2x FRSV 6X16E 2x SEMS 6E	Round-head screw with short square Hexagon nut, self-locking, DIN 6923

Stainless steel, according to ASTM 304 / BS 304 S 3

Product	G
KLU E	2,50 kg/100

Accessories included: 2x FRSV 6X16E 2x SEMS 6E	Round-head screw with short square Hexagon nut, self-locking, DIN 6923





Stainless steel, according to ASTM 316 Ti / AISI 316 L, BS 320S17 / BS 316S11

Product	G
KLU E4	2,50 kg/100
Accessories included:	
2x FKS 6X16E4 2x US 6X12E4 2x SEM 6E4	Slotted cylinder head screw, DIN 84 Square washer, DIN 125 Hexagon-nut, DIN 934

G : Weight

OPTIONAL ACCESSORIES

FRSV, FRS, SEMS



System E30 - E90. CNBOP-PIB nr CNBOP-PIB-KOT-2017/0013-3703

