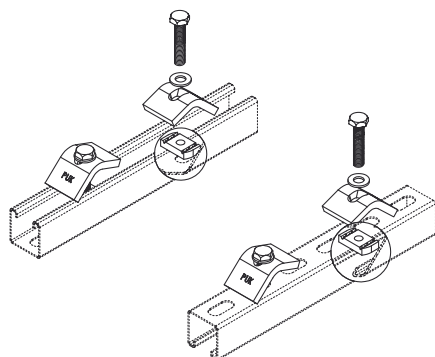


SKL A

Beam clamp set, A 41/ KHA 41/ KHAL 41



Hot-dip galvanized, according to BS 729 (DIN EN ISO 1461)

Product	k	P _{max}	M	G
SKL AF	5 - 25 mm	10 kN	35 Nm	0,49 kg/set
Accessories included:				
2x SES 10X55F 2x US 10X21F 2x AM22 M10F 2x UVS M10X24		Hexagon head bolt, DIN 933 Square washer, DIN 125 Channel nut, A 41/ KHA 41/ KHAL 41 Captive washer		

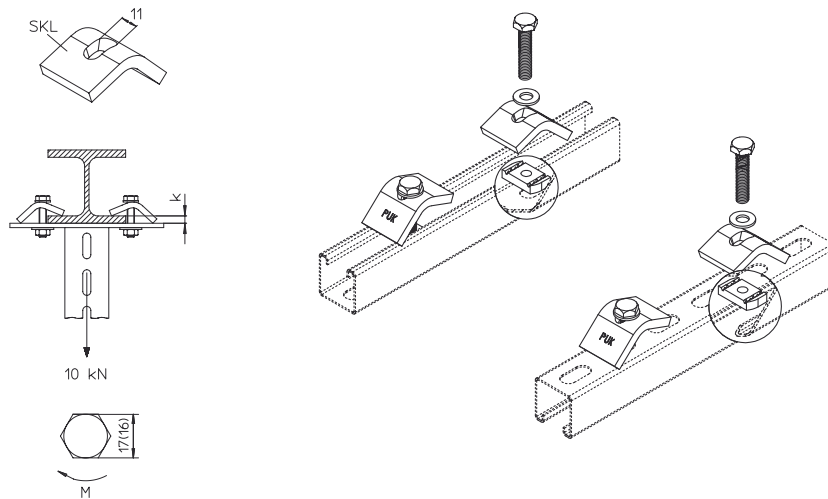
Stainless steel, according to ASTM 316 Ti / AISI 316 L, BS 320S17 / BS 316S11

Product	k	P _{max}	M	G
SKL AE4	5 - 25 mm	10 kN	35 Nm	0,49 kg/set
Accessories included:				
2x SES 10X55E4 2x US 10X21E4 2x AM22 M10E4 2x UVS M10X24		Hexagon head bolt, DIN 933 Square washer, DIN 125 Channel nut, A 41/ KHA 41/ KHAL 41 Captive washer		

- k** : Clamping range
- P_{max}** : Maximum permissible load
- M** : Torque
- G** : Weight

DETAILS / APPLICATIONS





OPTIONAL ACCESSORIES

A 41, KHA 41, KHAL 41



System E30 - E90. CNBOP-PIB nr CNBOP-PIB-KOT-2017/0013-3703

