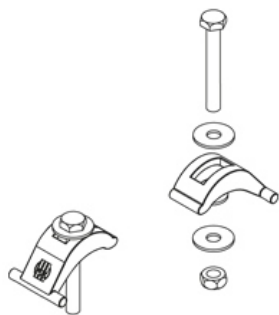


SKS M

Beam clamp set, KISS



Hot-dip galvanized, according to BS 729 (DIN EN ISO 1461)

Product	k	P _{max}	M	G
SKS MF	10 - 30 mm	20 kN	50 Nm	0,52 kg/set
Accessories included:				
2x SES 10X75F 4x US 10X30F 2x UVS M10X24 2x SEM 10F		Hexagon head bolt, DIN 933 Square washer, DIN 9021 Captive washer Hexagon-nut, DIN 934		

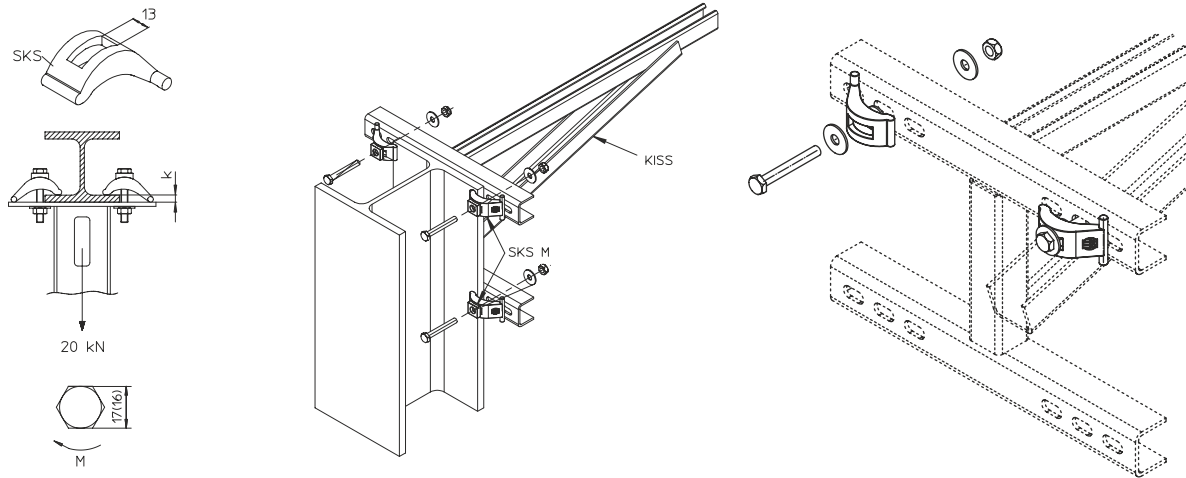
Stainless steel, according to ASTM 316 Ti / AISI 316 L, BS 320S17 / BS 316S11

Product	k	P _{max}	M	G
SKS ME4	10 - 30 mm	20 kN	50 Nm	0,30 kg/set
Accessories included:				
2x SES 10X75E4 4x US 10X30E4 2x UVS M10X24 2x SEM 10E4		Hexagon head bolt, DIN 933 Square washer, DIN 9021 Captive washer Hexagon-nut, DIN 934		

- k** : Clamping range
P_{max} : Maximum permissible load
M : Torque
G : Weight

DETAILS / APPLICATIONS





OPTIONAL ACCESSORIES

KISS



System E30 - E90. CNBOP-PIB nr CNBOP-PIB-KOT-2017/0013-3703

