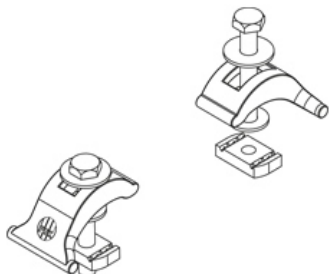


SKS A

Beam clamp set, A 41/ KHA 41-profile



Hot-dip galvanized, according to BS 729 (DIN EN ISO 1461)

Product	k	P _{max}	M	G
SKS AF	10 - 30 mm	20 kN	50 Nm	0,56 kg/set
Accessories included:				
2x SES 10X75F 2x US 10X30F 2x AM22 M10F 2x UVS M10X24		Hexagon head bolt, DIN 933 Square washer, DIN 9021 Channel nut, A 41/ KHA 41/ KHAL 41 Captive washer		

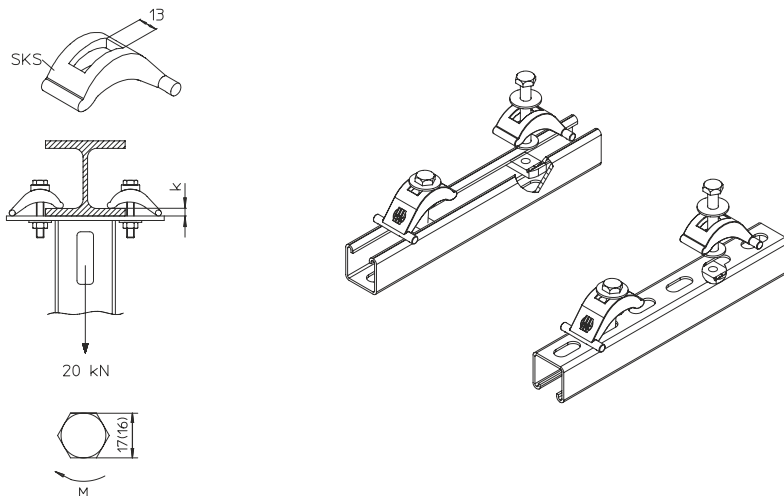
Stainless steel, according to ASTM 316 Ti / AISI 316 L, BS 320S17 / BS 316S11

Product	k	P _{max}	M	G
SKS AE4	10 - 30 mm	20 kN	50 Nm	0,59 kg/set
Accessories included:				
2x SES 10X75E4 2x US 10X30E4 2x UVS M10X24 2x AM22 M10E4		Hexagon head bolt, DIN 933 Square washer, DIN 9021 Captive washer Channel nut, A 41/ KHA 41/ KHAL 41		

- k** : Clamping range
- P_{max}** : Maximum permissible load
- M** : Torque
- G** : Weight

DETAILS / APPLICATIONS





OPTIONAL ACCESSORIES

A 41, KHA 41



System E30 - E90. CNBOP-PIB nr CNBOP-PIB-KOT-2017/0013-3703

