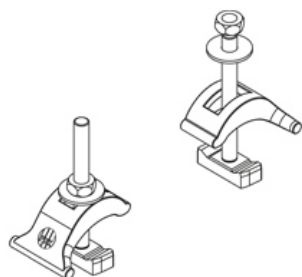


# SKS H

Beam clamp set, KHA 2-profile



Hot-dip galvanized, according to BS 729 (DIN EN ISO 1461)

Product	k	P <sub>max</sub>	M	G
SKS HF	10 - 30 mm	20 kN	50 Nm	0,61 kg/set
Accessories included:				
2x HS22 10X80F 2x US 10X30F		Tee-head bolt, A 2/ A 4 Square washer, DIN 9021		

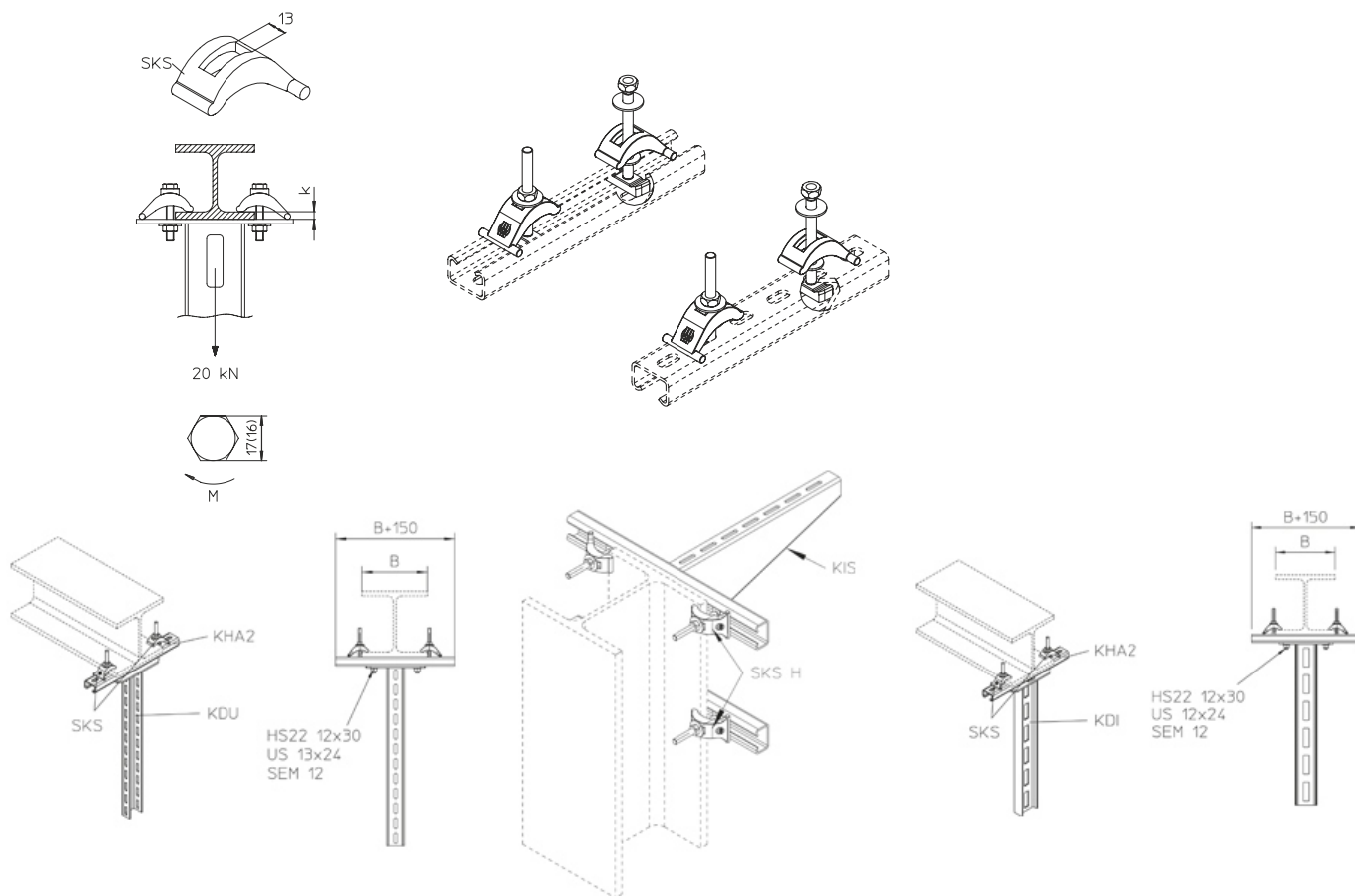
Stainless steel, according to ASTM 304 / BS 304 S 3

Product	k	P <sub>max</sub>	M	G
SKS HE4	10 - 30 mm	20 kN	50 Nm	0,63 kg/set
Accessories included:				
2x HS22 10X80E4 2x US 10X30E4		Tee-head bolt, A 2/ A 4 Square washer, DIN 9021		

- k** : Clamping range
- P<sub>max</sub>** : Maximum permissible load
- M** : Torque
- G** : Weight

## DETAILS / APPLICATIONS





## OPTIONAL ACCESSORIES

KHA 2



System E30 - E90. CNBOP-PIB nr CNBOP-PIB-KOT-2017/0013-3703

