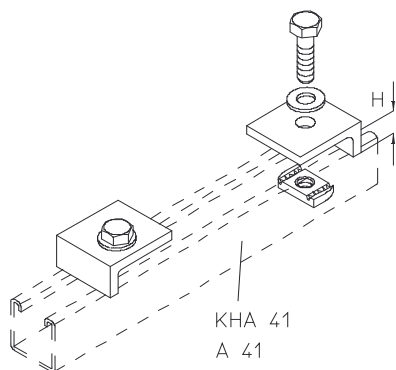


TKLA 22

Beam clamp



Hot-dip galvanized, according to BS 729 (DIN EN ISO 1461)

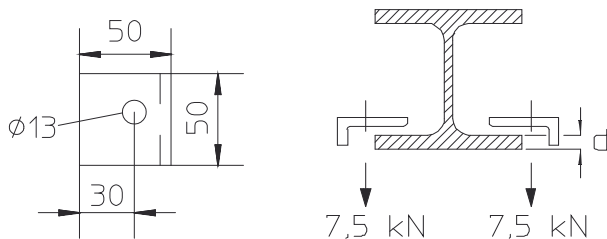
Product	H	D	G
TKLA 22-10F	10 mm	6 - 10 mm	0,52 kg
Accessories included:			
2x SES 12F 2x US 13x24F 2x AM22 M12F	Hexagon head bolt, DIN 933 Square washer, DIN 9021 Channel nut, A 41/ KHA 41/ KHAL 41		
TKLA 22-15F	15 mm	11 - 15 mm	0,55 kg
Accessories included:			
2x SES 12F 2x US 13x24F 2x AM22 M12F	Hexagon head bolt, DIN 933 Square washer, DIN 9021 Channel nut, A 41/ KHA 41/ KHAL 41		
TKLA 22-20F	20 mm	16 - 20 mm	0,58 kg
Accessories included:			
2x SES 12F 2x US 13x24F 2x AM22 M12F	Hexagon head bolt, DIN 933 Square washer, DIN 9021 Channel nut, A 41/ KHA 41/ KHAL 41		
TKLA 22-25F	25 mm	21 - 25 mm	0,60 kg
Accessories included:			
2x SES 12F 2x US 13x24F 2x AM22 M12F	Hexagon head bolt, DIN 933 Square washer, DIN 9021 Channel nut, A 41/ KHA 41/ KHAL 41		
TKLA 22-30F	30 mm	26 - 30 mm	0,63 kg
Accessories included:			
2x SES 12F 2x US 13x24F 2x AM22 M12F	Hexagon head bolt, DIN 933 Square washer, DIN 9021 Channel nut, A 41/ KHA 41/ KHAL 41		
TKLA 22-35F	35 mm	31 - 35 mm	0,66 kg
Accessories included:			
2x SES 12F 2x US 13x24F 2x AM22 M12F	Hexagon head bolt, DIN 933 Square washer, DIN 9021 Channel nut, A 41/ KHA 41/ KHAL 41		



Product	H	D	G
TKLA 22-40F	40 mm	36 - 40 mm	0,69 kg
Accessories included:			
2x SES 12F 2x US 13x24F 2x AM22 M12F	Hexagon head bolt, DIN 933 Square washer, DIN 9021 Channel nut, A 41/ KHA 41/ KHAL 41		

H : Height
D : Diameter
G : Weight

DETAILS / APPLICATIONS



OPTIONAL ACCESSORIES

A 41, KHA 41, KHAL 41

