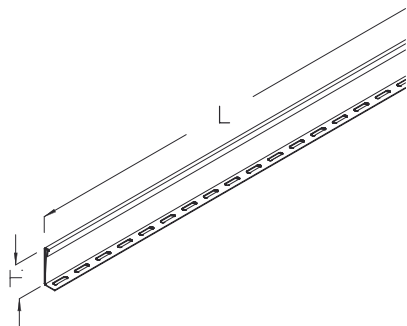


GTR 60

Wire-mesh cable tray separating strip, height=50 mm

Wire mesh cable tray separating strip including clamp.

This article is available made in material No. 1.4571/1.4404 (V4A) stainless steel finish.



Continuously hot galvanized (Sendzimir process) (DIN EN 10346)

Product	H	L	G
GTR 60S	50 mm	3000 mm	2,07 kg
Incl.:			
1,5x KLR		Clamp fastening set	

Hot-dip galvanized, according to BS 729 (DIN EN ISO 1461)

Product	H	L	G
GTR 60F	50 mm	3000 mm	2,22 kg
Incl.:			
1,5x KLR E		Clamp fastening set	

Stainless steel, according to ASTM 304 / BS 304 S 3

Product	H	L	G
GTR 60E	50 mm	3000 mm	2,09 kg
Incl.:			
1,5x KLR E		Clamp fastening set	

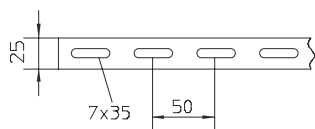


Stainless steel, according to ASTM 316 Ti / AISI 316 L, BS 320S17 / BS 316S11

Product	H	L	G
GTR 60E4	50 mm	3000 mm	2,09 kg
Incl.:			
1,5x KLU E4		Clamp fastening set	

H : Height
L : Length
G : Weight

DETAILS / APPLICATIONS



System E30 - E90. CNBOP-PIB-KOT-2017/0013-3703

