

GVU

Wire-mesh cable tray connector

Wire-mesh cable tray connector, for construction of levels.



Hot-dip galvanized, according to BS 729 (DIN EN ISO 1461)

Product	H	L	G
GVU F	46 mm	185 mm	0,13 kg

Stainless steel, according to ASTM 304 / BS 304 S 3

Product	H	L	G
GVU E	46 mm	185 mm	0,10 kg

Stainless steel, according to ASTM 316 Ti / AISI 316 L, BS 320S17 / BS 316S11

Product	H	L	G
GVU E4	46 mm	185 mm	0,10 kg

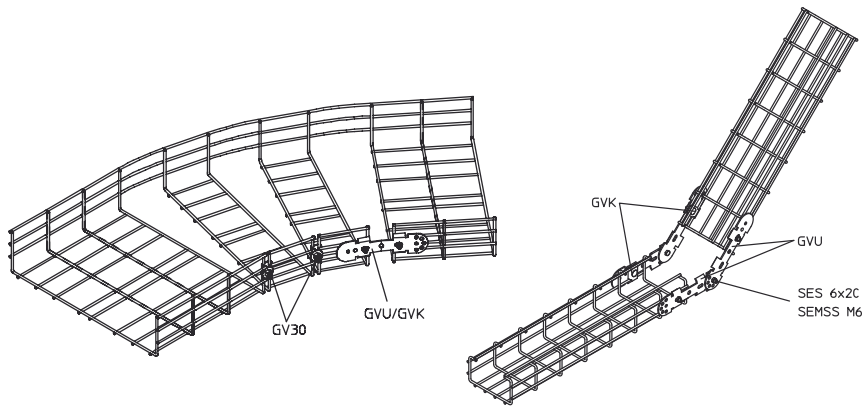
H : Height

L : Length

G : Weight

DETAILS / APPLICATIONS





System E30 - E90. CNBOP-PIB-KOT-2017/0013-3703

