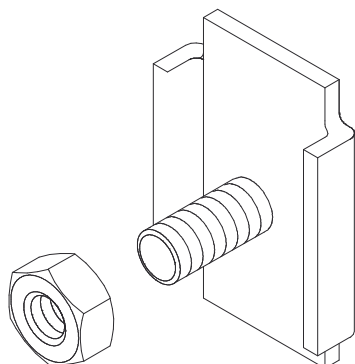


## GVK

Wire-mesh cable tray connector clamp



Hot-dip galvanized, according to BS 729 (DIN EN ISO 1461)

Product	H	B	G
GVK F	24 mm	17 mm	0,02 kg
Incl.: 1x SEMSS 6E		Hexagon-nut, self-locking, DIN 985	

Stainless steel, according to ASTM 304 / BS 304 S 3

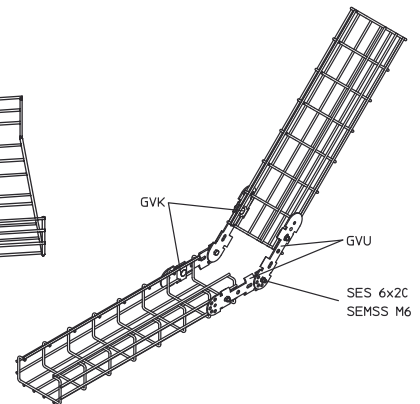
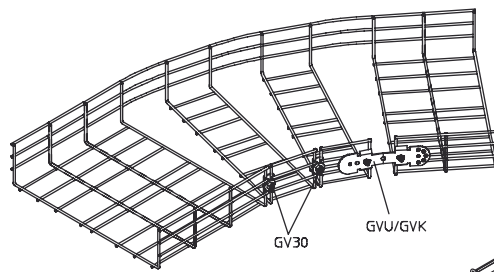
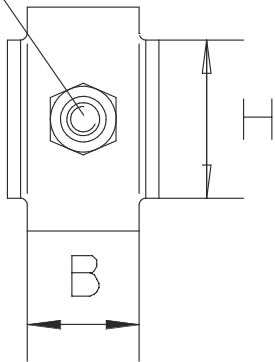
Product	H	B	G
GVK E	24 mm	17 mm	0,02 kg
Incl.: 1x SEMSS 6E		Hexagon-nut, self-locking, DIN 985	

**H** : Height  
**B** : Width  
**G** : Weight

## DETAILS / APPLICATIONS



M6x20



System E30 - E90. CNBOP-PIB-KOT-2017/0013-3703

