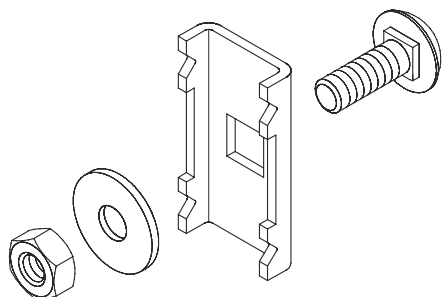


## GV 30

Wire-mesh cable tray connector



This article is available made in material No. 1.4571/1.4404 (V4A) stainless steel finish.



### Continuously hot galvanized (Sendzimir process) (DIN EN 10346)

Product	G
GV 30S	0,04 kg
Incl.:	
1x GV-L 30F	Wire-mesh cable tray connector
1x FRSV 8X16	Round-head screw with short square, DIN 603
1x SEM 8	Hexagon-nut, DIN 934
1x US 8X25	Square washer, DIN 9021

### Hot-dip galvanized, according to BS 729 (DIN EN ISO 1461)

Product	G
GV 30F	0,04 kg
Incl.:	
1x GV-L 30F	Wire-mesh cable tray connector
1x FRSV 8X16E	Round-head screw with short square, DIN 603
1x SEM 8E	Hexagon-nut, DIN 934
1x US 8X25E	Square washer, DIN 9021

### Stainless steel, according to ASTM 304 / BS 304 S 3

Product	G
GV 30E	0,04 kg
Incl.:	
1x GV-L 30E	Wire-mesh cable tray connector
1x FRSV 8X16E	Round-head screw with short square, DIN 603
1x SEM 8E	Hexagon-nut, DIN 934
1x US 8X25E	Square washer, DIN 9021

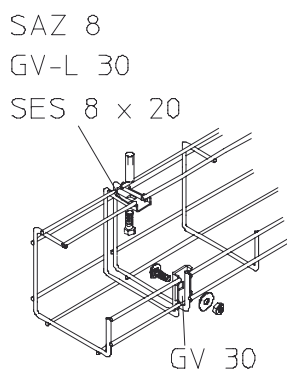
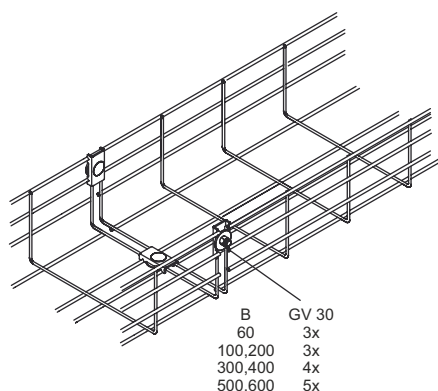


Stainless steel, according to ASTM 31 Ti / AISI 316 L, BS 320S17 / BS 316S11

Product	G
GV 30E4	0,04 kg
-----	
Incl.:	
1x GV-L 30E4	Wire-mesh cable tray connector
1x FKS 8X16E4	Slotted cylinder head screw, DIN EN ISO 1580
1x SEM 8E4	Hexagon-nut, DIN 934
1x US 8X25E4	Square washer, DIN 9021

**G** : Weight

## DETAILS / APPLICATIONS



System E30 - E90. CNBOP-PIB-KOT-2017/0013-3703

