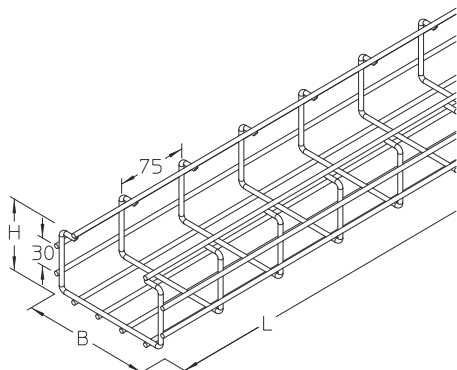


GI

Wire mesh cable tray, height=75 mm

Wire mesh cable tray, C-shape, heavy-duty, certified including electrical conductivity according to DIN EN 61537/VDE 0639.



• BAUA
• GEPRÜF
• TÜV
• APPRO



Pre-galvanised (DIN EN 10244-2)

Product	H	B	L	a	t	A	Q _{SK}	G
GI 06S	75 mm	76 mm	3000 mm	30 mm	4,50 mm	33 cm ²	0,05 kN/m	4,10 kg
GI 12S	75 mm	136 mm	3000 mm	30 mm	4,50 mm	67 cm ²	0,10 kN/m	5,16 kg
GI 20S	75 mm	216 mm	3000 mm	30 mm	4,50 mm	113 cm ²	0,17 kN/m	5,57 kg
GI 30S	75 mm	316 mm	3000 mm	30 mm	4,50 mm	165 cm ²	0,25 kN/m	6,83 kg

Hot-dip galvanized, according to BS 729 (DIN EN ISO 1461)

Product	H	B	L	a	t	A	Q _{SK}	G
GI 06F	75 mm	76 mm	3000 mm	30 mm	4,50 mm	33 cm ²	0,05 kN/m	4,39 kg
GI 12F	75 mm	136 mm	3000 mm	30 mm	4,50 mm	67 cm ²	0,10 kN/m	5,52 kg
GI 20F	75 mm	216 mm	3000 mm	30 mm	4,50 mm	113 cm ²	0,17 kN/m	5,96 kg
GI 30F	75 mm	316 mm	3000 mm	30 mm	4,50 mm	165 cm ²	0,25 kN/m	7,31 kg

Stainless steel, according to ASTM 304 / BS 304 S 3

Product	H	B	L	a	t	A	Q _{SK}	G
GI 06E	75 mm	76 mm	3000 mm	30 mm	4,50 mm	33 cm ²	0,05 kN/m	4,12 kg
GI 12E	75 mm	136 mm	3000 mm	30 mm	4,50 mm	67 cm ²	0,10 kN/m	5,19 kg
GI 20E	75 mm	216 mm	3000 mm	30 mm	4,50 mm	113 cm ²	0,17 kN/m	5,60 kg



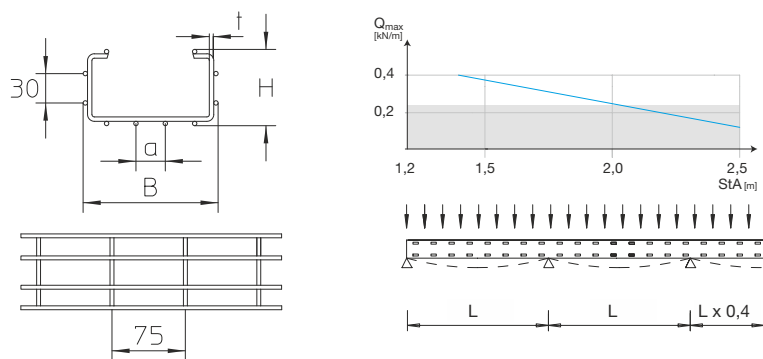
Product	H	B	L	a	t	A	Q_{sk}	G
GI 30E	75 mm	316 mm	3000 mm	30 mm	4,50 mm	165 cm ²	0,25 kN/m	6,87 kg

Stainless steel, according to ASTM 316 Ti / AISI 316 L, BS 320S17 / BS 316S11

Product	H	B	L	a	t	A	Q_{sk}	G
GI 06E4	75 mm	76 mm	3000 mm	30 mm	4,50 mm	33 cm ²	0,05 kN/m	4,18 kg
GI 12E4	75 mm	136 mm	3000 mm	30 mm	4,50 mm	67 cm ²	0,10 kN/m	5,25 kg
GI 20E4	75 mm	216 mm	3000 mm	30 mm	4,50 mm	113 cm ²	0,17 kN/m	5,67 kg
GI 30E4	75 mm	316 mm	3000 mm	30 mm	4,50 mm	165 cm ²	0,25 kN/m	7,01 kg

- H** : Height
- B** : Width
- L** : Length
- a** : Wire distance
- t** : Material thickness
- A** : Cross section area
- Q_{sk}** : Distributed load control cable
- G** : Weight

DETAILS / APPLICATIONS



OPTIONAL ACCESSORIES

GV 30, GVD 30, GV-L 30, GVU, GVK, GTR 60, MP-G, KLU





Do not walk upon!



• BAUST
• GEPROBT
• TYPE
• APPROVED

TÜV certified



Certified according to Det Norske Veritas (DNV) and Germanischer Lloyd (GL)



System E30 - E90. CNBOP-PIB-KOT-2017/0013-3703

