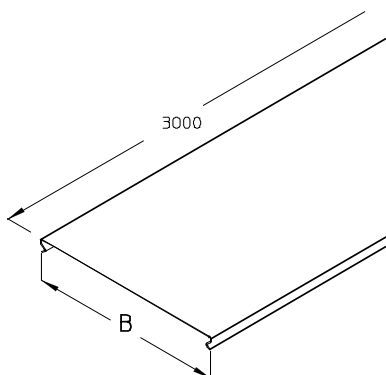


## RDC

Cable tray cover

Cable tray cover, positive locking.



### Continuously hot galvanized (Sendzimir process) (DIN EN 10346)

Product	B	L	t	G
RDC 05S	50 mm	3000 mm	0,55 mm	0,97 kg
RDC 10S	100 mm	3000 mm	0,55 mm	1,68 kg
RDC 15S	150 mm	3000 mm	0,55 mm	2,33 kg
RDC 20S	200 mm	3000 mm	0,55 mm	2,98 kg
RDC 30S	300 mm	3000 mm	0,55 mm	4,27 kg

### Stainless steel, according to ASTM 304 / BS 304 S 3

Product	B	L	t	G
RDC 05E	50 mm	3000 mm	0,55 mm	0,98 kg
RDC 10E	100 mm	3000 mm	0,55 mm	1,70 kg
RDC 15E	150 mm	3000 mm	0,55 mm	2,35 kg
RDC 20E	200 mm	3000 mm	0,55 mm	3,01 kg
RDC 30E	300 mm	3000 mm	0,55 mm	4,31 kg



Stainless steel, material no. 1.4571 (ANSI 316 Ti) / 1.4404 (ANSI 316 L)

Product	B	L	t	G
RDC 05E4	50 mm	3000 mm	0,55 mm	0,98 kg
RDC 10E4	100 mm	3000 mm	0,55 mm	1,70 kg
RDC 15E4	150 mm	3000 mm	0,55 mm	2,35 kg
RDC 20E4	200 mm	3000 mm	0,55 mm	3,01 kg
RDC 30E4	300 mm	3000 mm	0,55 mm	4,31 kg

**B** : Width  
**L** : Length  
**t** : Material thickness  
**G** : Weight

## DETAILS / APPLICATIONS

