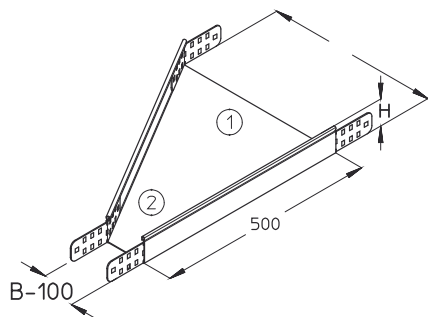


RR 85

Cable tray reducer, height=85 mm

Cable tray reducer with integrated connectors. Please quote the design (left, centred, right) and the side width with your order.

This article is available made in material No. 1.4571/1.4404 (V4A) stainless steel finish.



Continuously hot galvanized (Sendzimir process) (DIN EN 10346)

Product	H	B	L	G
RR 85-20S	85 mm	200 mm	500 mm	2,17 kg

Incl.:				
4x KLR		Clamp fastening set		
RR 85-30S	85 mm	300 mm	500 mm	2,57 kg

Incl.:				
4x KLR		Clamp fastening set		
RR 85-40S	85 mm	400 mm	500 mm	2,97 kg

Incl.:				
4x KLR		Clamp fastening set		
RR 85-50S	85 mm	500 mm	500 mm	3,37 kg

Incl.:				
4x KLR		Clamp fastening set		
RR 85-60S	85 mm	600 mm	500 mm	3,77 kg

Incl.:				
4x KLR		Clamp fastening set		

Hot-dip galvanized, according to BS 729 (DIN EN ISO 1461)

Product	H	B	L	G
RR 85-20F	85 mm	200 mm	500 mm	2,43 kg

Incl.:				
4x KLR E		Clamp fastening set		



