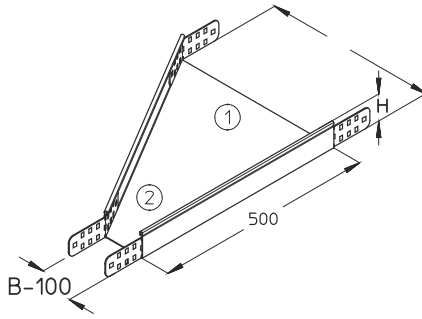


RR 42

Cable tray reducer, height=42 mm

Cable tray reducer with integrated connectors. Please quote the design (left, centred, right) and the side width with your order.

This article is available made in material No. 1.4571/1.4404 (V4A) stainless steel finish.



Continuously hot galvanized (Sendzimir process) (DIN EN 10346)

Product	H	B	L	G
RR 42-10S	42 mm	100 mm	500 mm	1,19 kg

Incl.:				
2x KLR		Clamp fastening set		
RR 42-20S	42 mm	200 mm	500 mm	1,49 kg

Incl.:				
2x KLR		Clamp fastening set		
RR 42-30S	42 mm	300 mm	500 mm	1,90 kg

Incl.:				
2x KLR		Clamp fastening set		

Hot-dip galvanized, according to BS 729 (DIN EN ISO 1461)

Product	H	B	L	G
RR 42-10F	42 mm	100 mm	500 mm	1,33 kg

Incl.:				
2x KLR E		Clamp fastening set		
RR 42-20F	42 mm	200 mm	500 mm	1,67 kg

Incl.:				
2x KLR E		Clamp fastening set		
RR 42-30F	42 mm	300 mm	500 mm	2,13 kg

Incl.:				
2x KLR E		Clamp fastening set		



Stainless steel, according to ASTM 304 / BS 304 S 3

Product	H	B	L	G
RR 42-10E	42 mm	100 mm	500 mm	1,19 kg

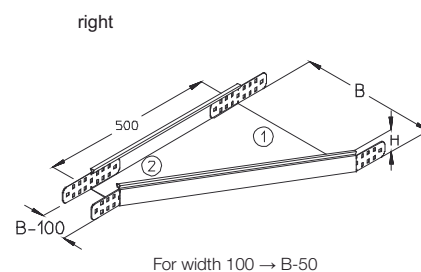
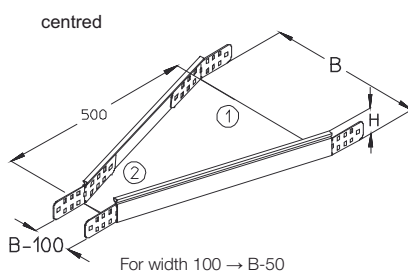
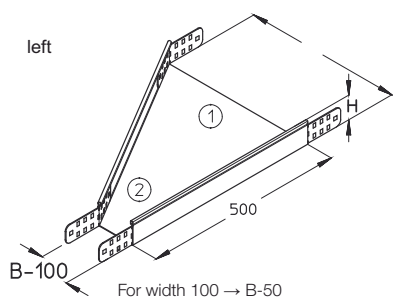
Incl.: 2x KLR		Clamp fastening set		
RR 42-20E	42 mm	200 mm	500 mm	1,49 kg

Incl.: 2x KLR		Clamp fastening set		
RR 42-30E	42 mm	300 mm	500 mm	1,90 kg

Incl.: 2x KLR		Clamp fastening set		

H : Height
B : Width
L : Length
G : Weight

DETAILS / APPLICATIONS



OPTIONAL ACCESSORIES

VB

