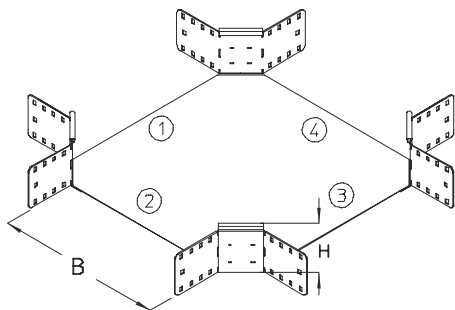


RK 110

Cable tray crossover, height=110 mm

Cable tray crossover for horizontal change of direction with integrated connectors.

This article is available made in material No. 1.4571/1.4404 (V4A) stainless steel finish.



Continuously hot galvanized (Sendzimir process) (DIN EN 10346)

Product	H	B	G
RK 110-10S	110 mm	100 mm	2,39 kg
Incl.: 8x KLR		Clamp fastening set	
RK 110-20S	110 mm	200 mm	2,81 kg
Incl.: 8x KLR		Clamp fastening set	
RK 110-30S	110 mm	300 mm	3,39 kg
Incl.: 8x KLR		Clamp fastening set	
RK 110-40S	110 mm	400 mm	4,13 kg
Incl.: 8x KLR		Clamp fastening set	
RK 110-50S	110 mm	500 mm	5,04 kg
Incl.: 8x KLR		Clamp fastening set	
RK 110-60S	110 mm	600 mm	6,10 kg
Incl.: 8x KLR		Clamp fastening set	

Hot-dip galvanized, according to BS 729 (DIN EN ISO 1461)





Product	H	B	G
RK 110-10F	110 mm	100 mm	2,67 kg
Incl.: 8x KLR E		Clamp fastening set	
RK 110-20F	110 mm	200 mm	3,15 kg
Incl.: 8x KLR E		Clamp fastening set	
RK 110-30F	110 mm	300 mm	3,80 kg
Incl.: 8x KLR E		Clamp fastening set	
RK 110-40F	110 mm	400 mm	4,63 kg
Incl.: 8x KLR E		Clamp fastening set	
RK 110-50F	110 mm	500 mm	5,64 kg
Incl.: 8x KLR E		Clamp fastening set	
RK 110-60F	110 mm	600 mm	6,83 kg
Incl.: 8x KLR E		Clamp fastening set	

Stainless steel, according to ASTM 304 / BS 304 S 3

Product	H	B	G
RK 110-10E	110 mm	100 mm	2,39 kg
Incl.: 8x KLR E		Clamp fastening set	
RK 110-20E	110 mm	200 mm	2,81 kg
Incl.: 8x KLR E		Clamp fastening set	
RK 110-30E	110 mm	300 mm	3,39 kg
Incl.: 8x KLR E		Clamp fastening set	
RK 110-40E	110 mm	400 mm	4,13 kg
Incl.: 8x KLR E		Clamp fastening set	
RK 110-50E	110 mm	500 mm	5,04 kg
Incl.: 8x KLR E		Clamp fastening set	



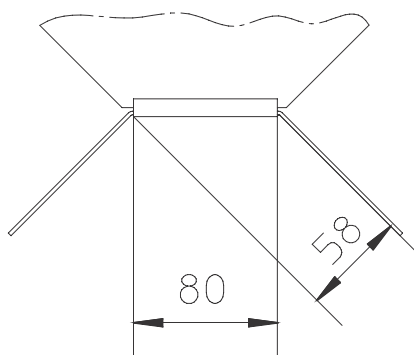


Product	H	B	G
RK 110-60E	110 mm	600 mm	6,10 kg

Incl.:			
8x KLR E		Clamp fastening set	

H : Height
B : Width
G : Weight

DETAILS / APPLICATIONS



OPTIONAL ACCESSORIES

VB



Certyfikat UL

