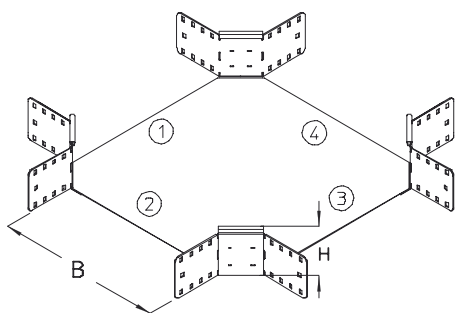


RK 85

Cable tray crossover, height=85 mm

Cable tray crossover for horizontal change of direction with integrated connectors.

This article is available made in material No. 1.4571/1.4404 (V4A) stainless steel finish.



Continuously hot galvanized (Sendzimir process) (DIN EN 10346)

Product	H	B	G
RK 85-10S	85 mm	100 mm	1,89 kg
Incl.: 8x KLR		Clamp fastening set	
RK 85-20S	85 mm	200 mm	2,31 kg
Incl.: 8x KLR		Clamp fastening set	
RK 85-30S	85 mm	300 mm	2,90 kg
Incl.: 8x KLR		Clamp fastening set	
RK 85-40S	85 mm	400 mm	3,64 kg
Incl.: 8x KLR		Clamp fastening set	
RK 85-50S	85 mm	500 mm	4,54 kg
Incl.: 8x KLR		Clamp fastening set	
RK 85-60S	85 mm	600 mm	5,60 kg
Incl.: 8x KLR		Clamp fastening set	

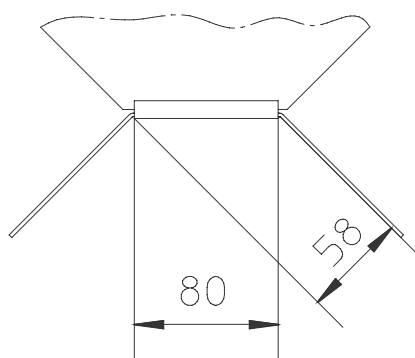
Hot-dip galvanized, according to BS 729 (DIN EN ISO 1461)



Product	H	B	G
RK 85-10F	85 mm	100 mm	2,10 kg
Incl.: 8x KLR E			
Clamp fastening set			
RK 85-20F	85 mm	200 mm	2,59 kg
Incl.: 8x KLR E			
Clamp fastening set			
RK 85-30F	85 mm	300 mm	3,24 kg
Incl.: 8x KLR E			
Clamp fastening set			
RK 85-40F	85 mm	400 mm	4,07 kg
Incl.: 8x KLR E			
Clamp fastening set			
RK 85-50F	85 mm	500 mm	5,08 kg
Incl.: 8x KLR E			
Clamp fastening set			
RK 85-60F	85 mm	600 mm	6,27 kg
Incl.: 8x KLR E			
Clamp fastening set			

H : Height
B : Width
G : Weight

DETAILS / APPLICATIONS





OPTIONAL ACCESSORIES

VB



Certyfikat UL

