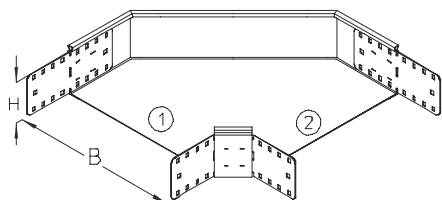


RB 110

Cable tray bend, height=110 mm



Cable tray bend 90° for horizontal change of direction with integrated connectors.

This article is available made in material No. 1.4571/1.4404 (V4A) stainless steel finish.



Continuously hot galvanized (Senzimir process) (DIN EN 10346)

Product	H	B	G
RB 110-10S	110 mm	100 mm	1,32 kg
Incl.: 4x KLR		Clamp fastening set	
RB 110-20S	110 mm	200 mm	1,82 kg
Incl.: 4x KLR		Clamp fastening set	
RB 110-30S	110 mm	300 mm	2,41 kg
Incl.: 4x KLR		Clamp fastening set	
RB 110-40S	110 mm	400 mm	3,14 kg
Incl.: 4x KLR		Clamp fastening set	
RB 110-50S	110 mm	500 mm	3,98 kg
Incl.: 4x KLR		Clamp fastening set	
RB 110-60S	110 mm	600 mm	4,97 kg
Incl.: 4x KLR		Clamp fastening set	

Hot-dip galvanized, according to BS 729 (DIN EN ISO 1461)





Product	H	B	G
RB 110-10F	110 mm	100 mm	1,48 kg
Incl.: 4x KLR E		Clamp fastening set	
RB 110-20F	110 mm	200 mm	2,04 kg
Incl.: 4x KLR E		Clamp fastening set	
RB 110-30F	110 mm	300 mm	2,70 kg
Incl.: 4x KLR E		Clamp fastening set	
RB 110-40F	110 mm	400 mm	3,52 kg
Incl.: 4x KLR E		Clamp fastening set	
RB 110-50F	110 mm	500 mm	4,46 kg
Incl.: 4x KLR E		Clamp fastening set	
RB 110-60F	110 mm	600 mm	5,57 kg
Incl.: 4x KLR E		Clamp fastening set	

Stainless steel, according to ASTM 304 / BS 304 S 3

Product	H	B	G
RB 110-10E	110 mm	100 mm	1,32 kg
Incl.: 4x KLR E		Clamp fastening set	
RB 110-20E	110 mm	200 mm	1,82 kg
Incl.: 4x KLR E		Clamp fastening set	
RB 110-30E	110 mm	300 mm	2,41 kg
Incl.: 4x KLR E		Clamp fastening set	
RB 110-40E	110 mm	400 mm	3,14 kg
Incl.: 4x KLR E		Clamp fastening set	
RB 110-50E	110 mm	500 mm	3,98 kg
Incl.: 4x KLR E		Clamp fastening set	



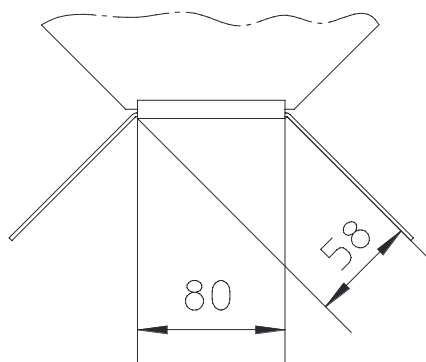


Product	H	B	G
RB 110-60E	110 mm	600 mm	4,97 kg

Incl.:			
4x KLR E	Clamp fastening set		

H : Height
B : Width
G : Wagi

DETAILS / APPLICATIONS



OPTIONAL ACCESSORIES

VB



Certyfikat UL

