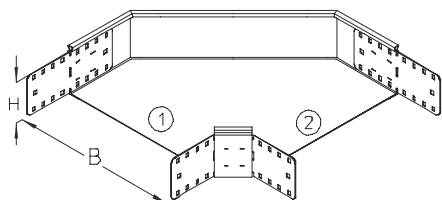


RB 85

Cable tray bend, height=85 mm



Cable tray bend 90° for horizontal change of direction with integrated connectors.

This article is available made in material No. 1.4571/1.4404 (V4A) stainless steel finish.



Continuously hot galvanized (Sendzimir process) (DIN EN 10346)

Product	H	B	G
RB 85-10S	85 mm	100 mm	1,04 kg
Incl.: 4x KLR		Clamp fastening set	
RB 85-20S	85 mm	200 mm	1,50 kg
Incl.: 4x KLR		Clamp fastening set	
RB 85-30S	85 mm	300 mm	2,05 kg
Incl.: 4x KLR		Clamp fastening set	
RB 85-40S	85 mm	400 mm	2,75 kg
Incl.: 4x KLR		Clamp fastening set	
RB 85-50S	85 mm	500 mm	33,56 kg
Incl.: 4x KLR		Clamp fastening set	
RB 85-60S	85 mm	600 mm	4,52 kg
Incl.: 4x KLR		Clamp fastening set	

Hot-dip galvanized, according to BS 729 (DIN EN ISO 1461)



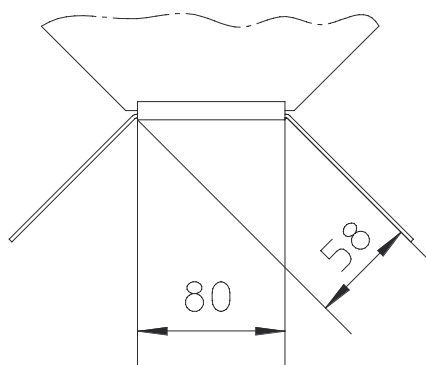
Product	H	B	G
RB 85-10F	85 mm	100 mm	1,17 kg
Incl.: 4x KLR E		Clamp fastening set	
RB 85-20F	85 mm	200 mm	1,68 kg
Incl.: 4x KLR E		Clamp fastening set	
RB 85-30F	85 mm	300 mm	2,30 kg
Incl.: 4x KLR E		Clamp fastening set	
RB 85-40F	85 mm	400 mm	3,08 kg
Incl.: 4x KLR E		Clamp fastening set	
RB 85-50F	85 mm	500 mm	3,99 kg
Incl.: 4x KLR E		Clamp fastening set	
RB 85-60F	85 mm	600 mm	5,07 kg
Incl.: 4x KLR E		Clamp fastening set	

H : Height

B : Width

G : Wagi

DETAILS / APPLICATIONS





OPTIONAL ACCESSORIES

VB



Certyfikat UL

