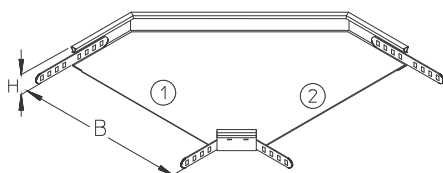


RB 42

Cable tray bend, height=42 mm



Cable tray bend 90° for horizontal change of direction with integrated connectors.

This article is available made in material No. 1.4571/1.4404 (V4A) stainless steel finish.

Continuously hot galvanized (Sendzimir process) (DIN EN 10346)

Product	H	B	G
RB 42-05S	42 mm	50 mm	0,42 kg
Incl.: 2x KLR		Clamp fastening set	
RB 42-10S	42 mm	100 mm	0,55 kg
Incl.: 2x KLR		Clamp fastening set	
RB 42-20S	42 mm	200 mm	0,93 kg
Incl.: 2x KLR		Clamp fastening set	
RB 42-30S	42 mm	300 mm	1,43 kg
Incl.: 2x KLR		Clamp fastening set	

Hot-dip galvanized, according to BS 729 (DIN EN ISO 1461)

Product	H	B	G
RB 42-05F	42 mm	50 mm	0,48 kg
Incl.: 2x KLR E		Clamp fastening set	
RB 42-10F	42 mm	100 mm	0,62 kg
Incl.: 2x KLR E		Clamp fastening set	



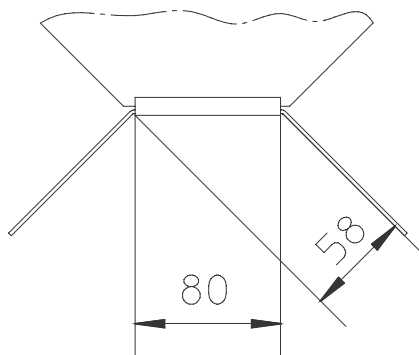
Product	H	B	G
RB 42-20F	42 mm	200 mm	1,05 kg
Incl.: 2x KLR E		Clamp fastening set	
RB 42-30F	42 mm	300 mm	1,61 kg
Incl.: 2x KLR E		Clamp fastening set	

Stainless steel, according to ASTM 304 / BS 304 S 3

Product	H	B	G
RB 42-05E	42 mm	50 mm	0,42 kg
Incl.: 2x KLR E		Clamp fastening set	
RB 42-10E	42 mm	100 mm	0,55 kg
Incl.: 2x KLR E		Clamp fastening set	
RB 42-20E	42 mm	200 mm	0,93 kg
Incl.: 2x KLR E		Clamp fastening set	
RB 42-30E	42 mm	300 mm	1,43 kg
Incl.: 2x KLR E		Clamp fastening set	

H : Height
B : Width
G : Weight

DETAILS / APPLICATIONS



OPTIONAL ACCESSORIES

VB