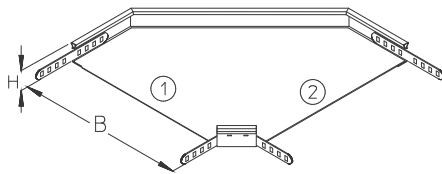


## RB 35

Cable tray bend, height=35 mm



Cable tray bend 90° for horizontal change of direction with integrated connectors.

This article is available made in material No. 1.4571/1.4404 (V4A) stainless steel finish.



**Continuously hot galvanized (Sendzimir process) (DIN EN 10346)**

Product	H	B	G
RB 35-05S	35 mm	50 mm	0,33 kg
Incl.: 2x KLR		Clamp fastening set	
RB 35-10S	35 mm	100 mm	0,47 kg
Incl.: 2x KLR		Clamp fastening set	
RB 35-20S	35 mm	200 mm	0,83 kg
Incl.: 2x KLR		Clamp fastening set	
RB 35-30S	35 mm	300 mm	1,31 kg
Incl.: 2x KLR		Clamp fastening set	

**Hot-dip galvanized, according to BS 729 (DIN EN ISO 1461)**

Product	H	B	G
RB 35-05F	35 mm	50 mm	0,37 kg
Incl.: 2x KLR E		Clamp fastening set	
RB 35-10F	35 mm	100 mm	0,53 kg
Incl.: 2x KLR E		Clamp fastening set	



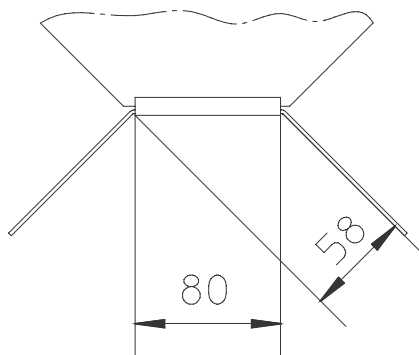
Product	H	B	G
RB 35-20F	35 mm	200 mm	0,93 kg
Incl.: 2x KLR E		Clamp fastening set	
RB 35-30F	35 mm	300 mm	1,47 kg
Incl.: 2x KLR E		Clamp fastening set	

Stainless steel, according to ASTM 304 / BS 304 S 3

Product	H	B	G
RB 35-05E	35 mm	50 mm	0,33 kg
Incl.: 2x KLR E		Clamp fastening set	
RB 35-10E	35 mm	100 mm	0,47 kg
Incl.: 2x KLR E		Clamp fastening set	
RB 35-20E	35 mm	200 mm	0,83 kg
Incl.: 2x KLR E		Clamp fastening set	
RB 35-30E	35 mm	300 mm	1,31 kg
Incl.: 2x KLR E		Clamp fastening set	

**H** : Height  
**B** : Width  
**G** : Weight

## DETAILS / APPLICATIONS





## OPTIONAL ACCESSORIES

VB



Certyfikat UL

