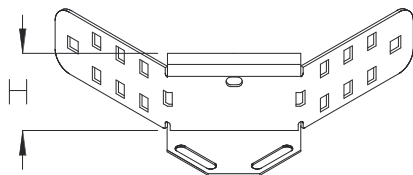


RAE 110

Cable tray attachment corner, height=110 mm

Cable tray attachment corner.



Continuously hot galvanized (Sendzimir process) (DIN EN 10346)

Product	H	G
RAE 110S	110 mm	0,60 kg
Incl.: 3x KLR	Clamp fastening set	

Hot-dip galvanized, according to BS 729 (DIN EN ISO 1461)

Product	H	G
RAE 110F	110 mm	0,60 kg
Incl.: 3x KLR E	Clamp fastening set	

Stainless steel, according to ASTM 304 / BS 304 S 3

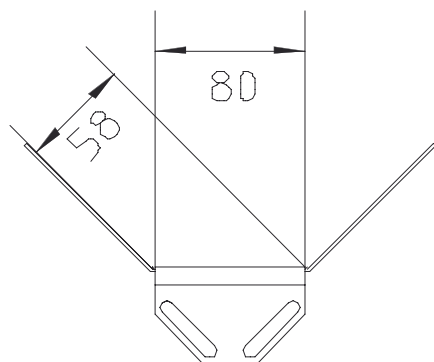
Product	H	G
RAE 110E	110 mm	0,60 kg
Incl.: 3x KLR E	Clamp fastening set	

H : Height

G : Weight



DETAILS / APPLICATIONS



OPTIONAL ACCESSORIES

VB

