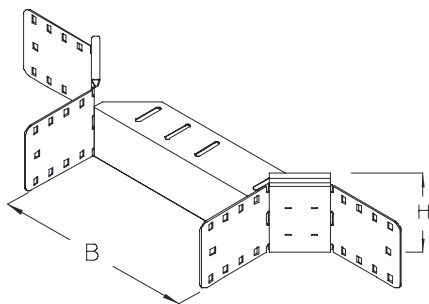


RAA 85

Cable tray attachment branch-piece, height=85 mm

Cable tray attachment branch.



Continuously hot galvanized (Sendzimir process) (DIN EN 10346)

Product	H	B	G
RAA 85-10S	85 mm	100 mm	1,00 kg
Incl.: 4x KLR		Clamp fastening set	
RAA 85-20S	85 mm	200 mm	1,10 kg
Incl.: 4x KLR		Clamp fastening set	
RAA 85-30S	85 mm	300 mm	1,21 kg
Incl.: 4x KLR		Clamp fastening set	
RAA 85-40S	85 mm	400 mm	1,31 kg
Incl.: 4x KLR		Clamp fastening set	
RAA 85-50S	85 mm	500 mm	1,41 kg
Incl.: 4x KLR		Clamp fastening set	
RAA 85-60S	85 mm	600 mm	1,49 kg
Incl.: 4x KLR		Clamp fastening set	

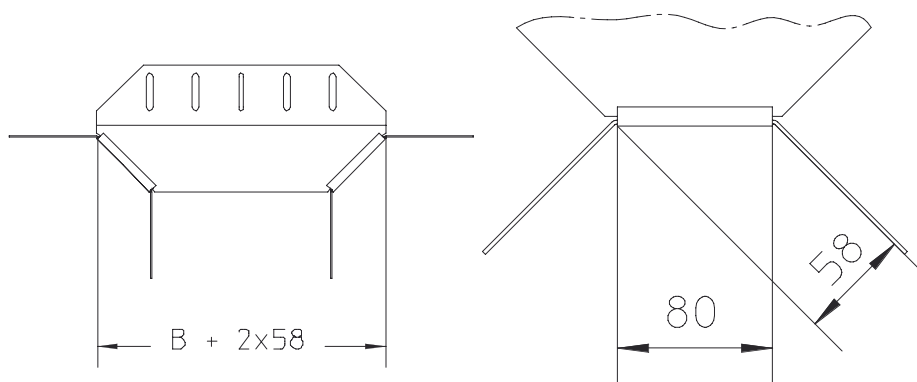
Hot-dip galvanized, according to BS 729 (DIN EN ISO 1461)



Product	H	B	G
RAA 85-10F	85 mm	100 mm	1,12 kg
Incl.: 4x KLR E		Clamp fastening set	
RAA 85-20F	85 mm	200 mm	1,23 kg
Incl.: 4x KLR E		Clamp fastening set	
RAA 85-30F	85 mm	300 mm	1,36 kg
Incl.: 4x KLR E		Clamp fastening set	
RAA 85-40F	85 mm	400 mm	1,47 kg
Incl.: 4x KLR E		Clamp fastening set	
RAA 85-50F	85 mm	500 mm	1,58 kg
Incl.: 4x KLR E		Clamp fastening set	
RAA 85-60F	85 mm	600 mm	1,67 kg
Incl.: 4x KLR E		Clamp fastening set	

H : Height
B : Width
G : Weight

DETAILS / APPLICATIONS





OPTIONAL ACCESSORIES

VB



Certyfikat UL

